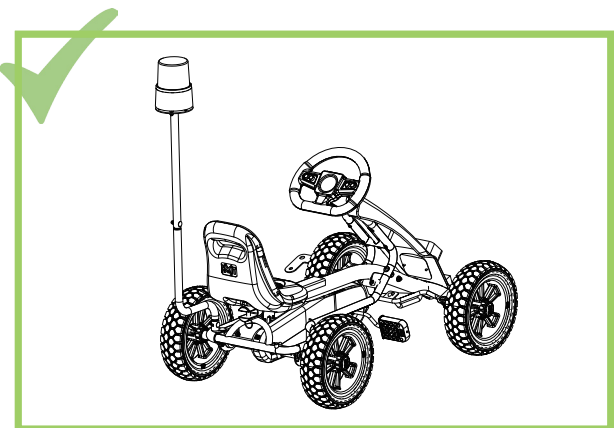
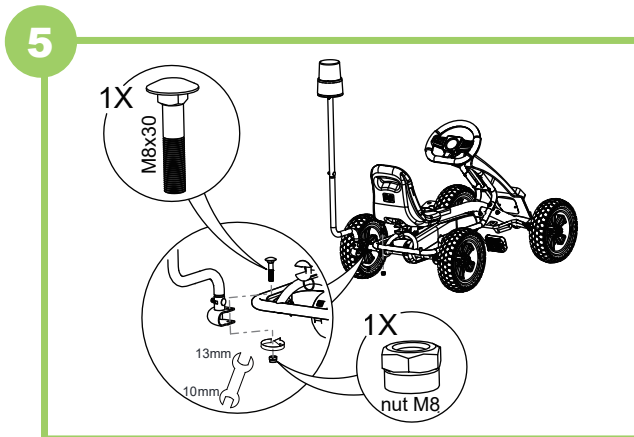
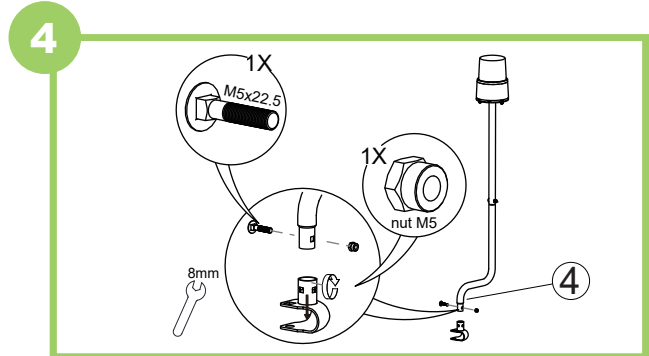
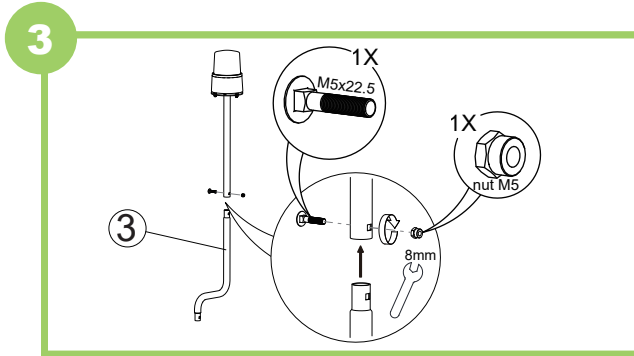
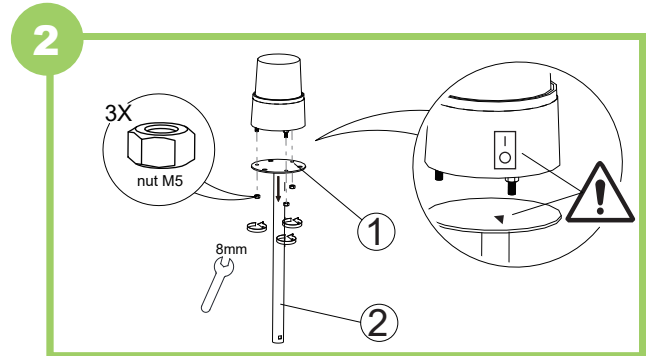
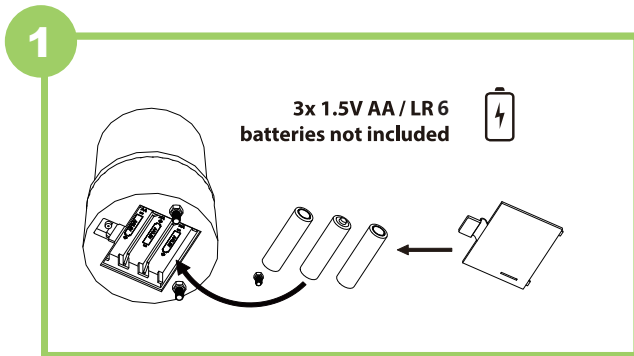
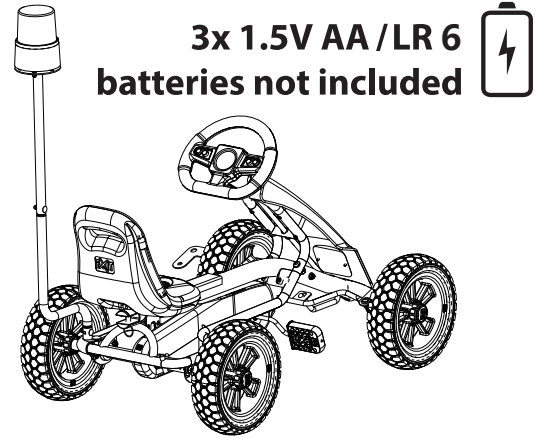
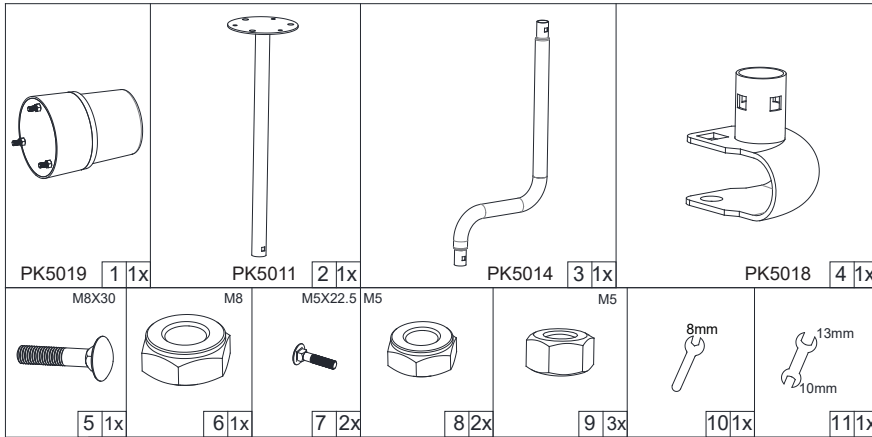




EXIT Foxy Light

Assembly Instruction



Contact Information

EXIT Toys
 P.O. Box 369, 7000 AJ Doetinchem
 The Netherlands
 MRV-23105-V05

Edisonstraat 83, 7006RB (NL)
 Tel. : +31 314 796 020
 Email : info@exittoys.com
 Web : www.exittoys.com

www.exittoys.com