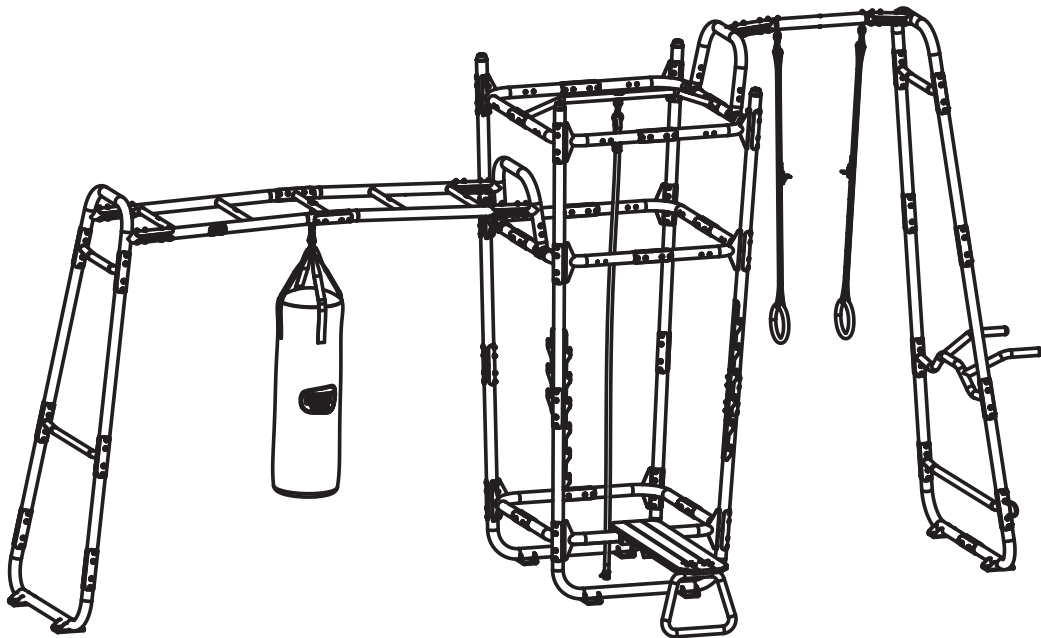




# GetSet

EXIT GetSet PS610



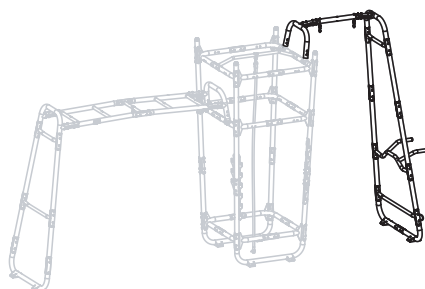
 **WARNING**  
CHOKING HAZARD  
small parts  
Adult assembly required  
retain for future reference



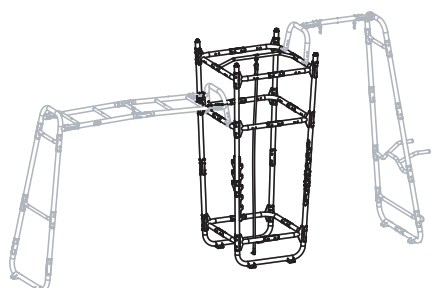
**02**



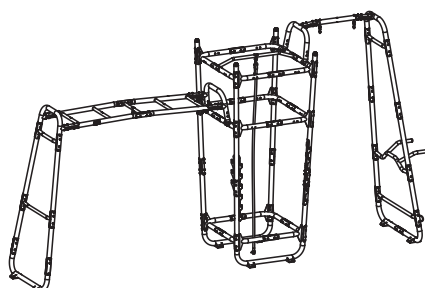
**48**



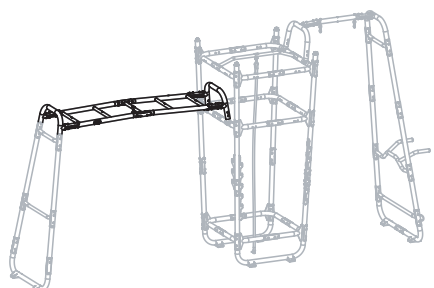
**10**



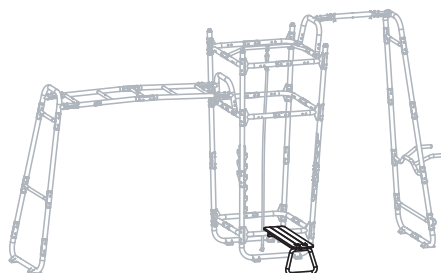
**62**



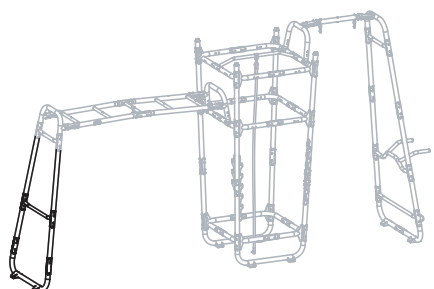
**32**



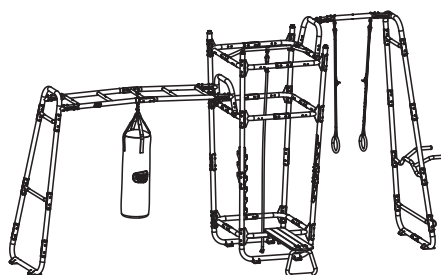
**68**



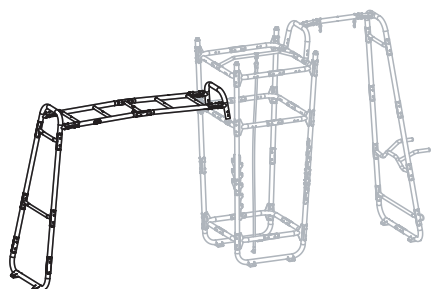
**38**

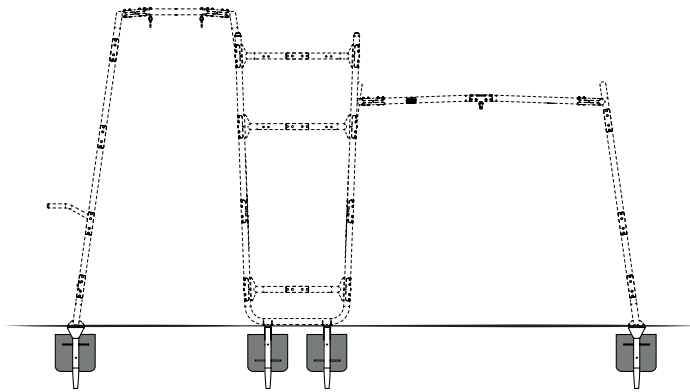


**72**



**44**





**1**

61.80.30.20 8X

**2**

61.82.50.50 1X

**3**

61.86.50.50 1X

**4**

61.85.50.50 1X

**5**

61.86.50.60 1X

**6**

61.85.50.60 1X

**7**

M8x30mm

M8x30mm 8X

**8**

M8x10mm

M8x10mm 8X

**9**

M8

M8 8X

63.85.40.40 1X

**10**

wood sheet  
30x30cm

1X

**11**

Ø37\*Ø13\*3.0 16X

**12**

M12x45mm

M12x45mm 16X

**13**

Ø13 16X

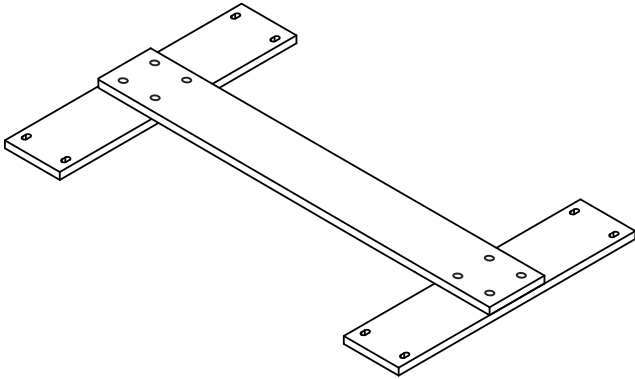
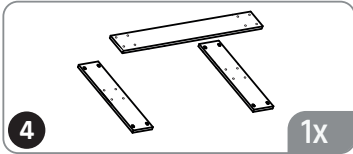
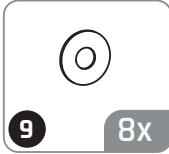
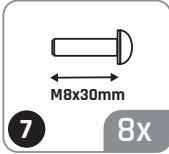
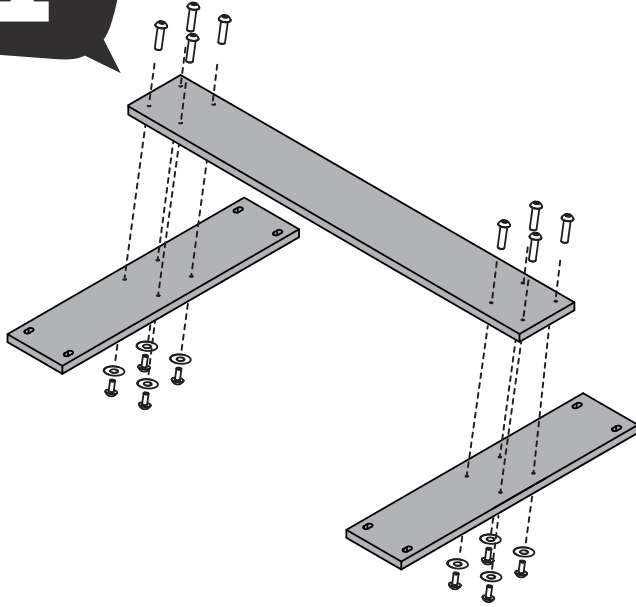
61.82.40.20 4X

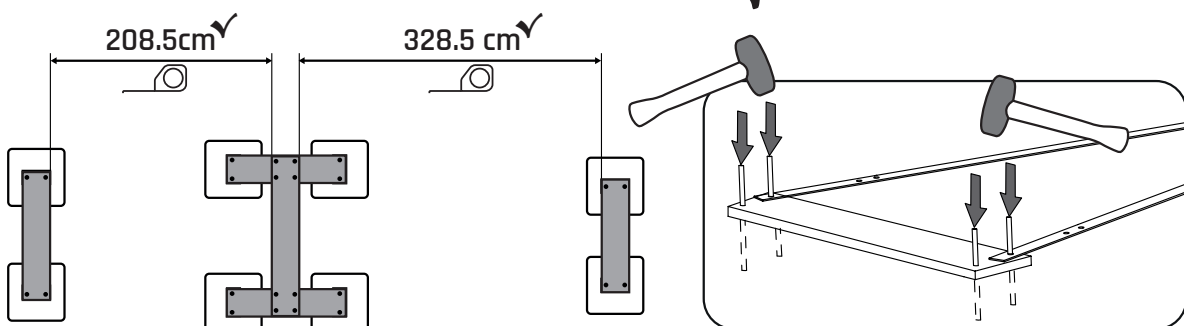
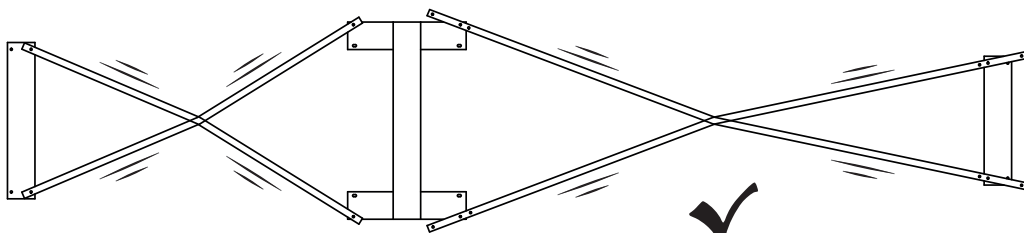
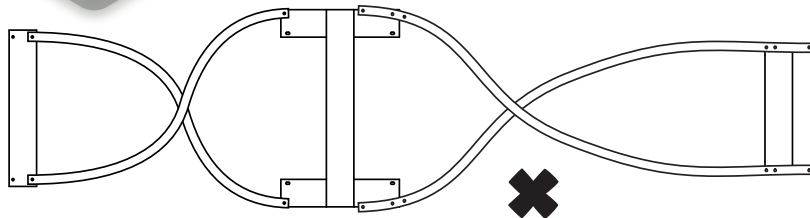
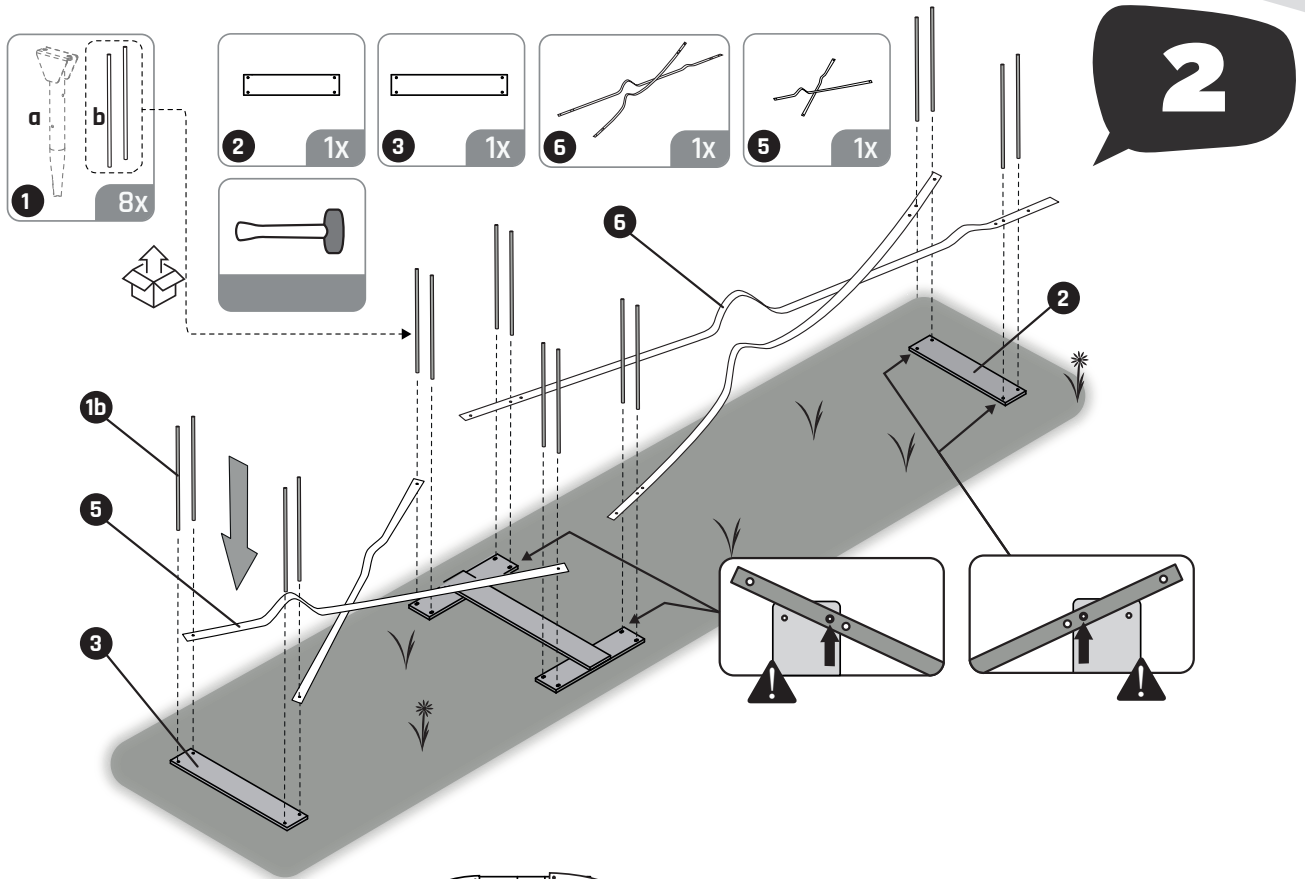
NOT INCLUDED

CONCRETE  
25kg

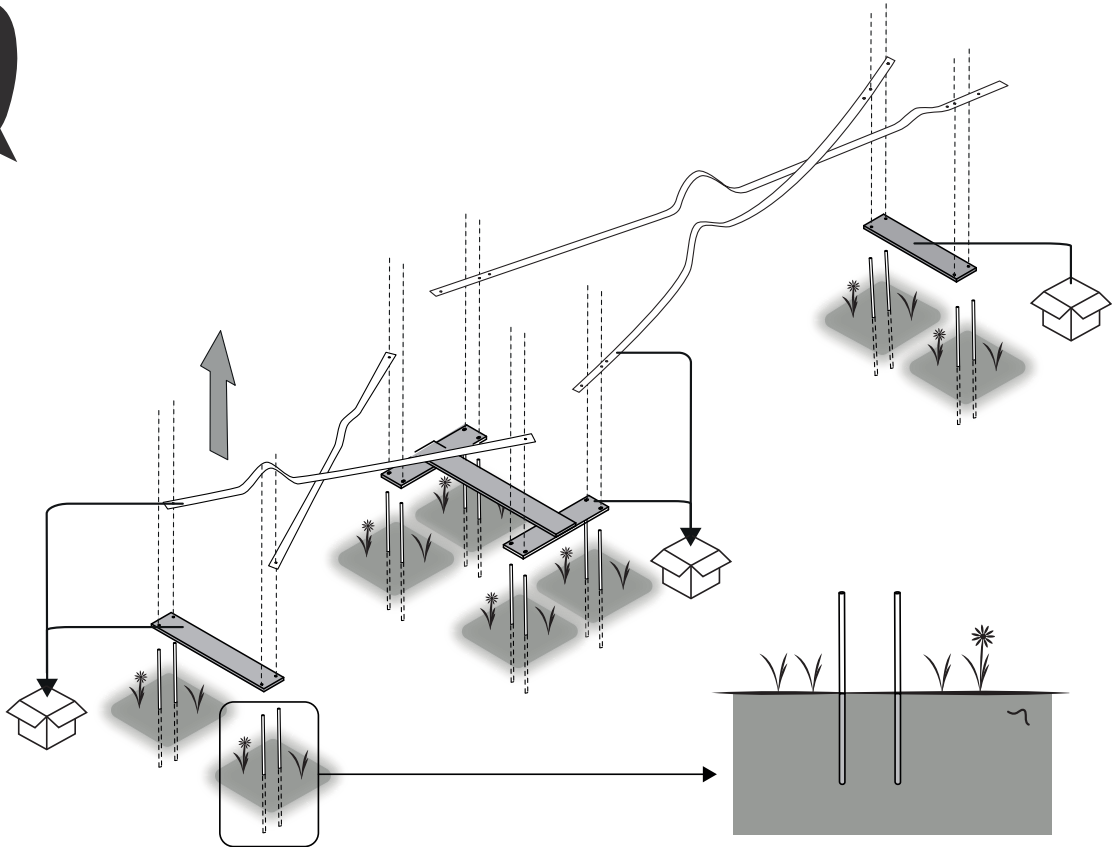
16x

**1**

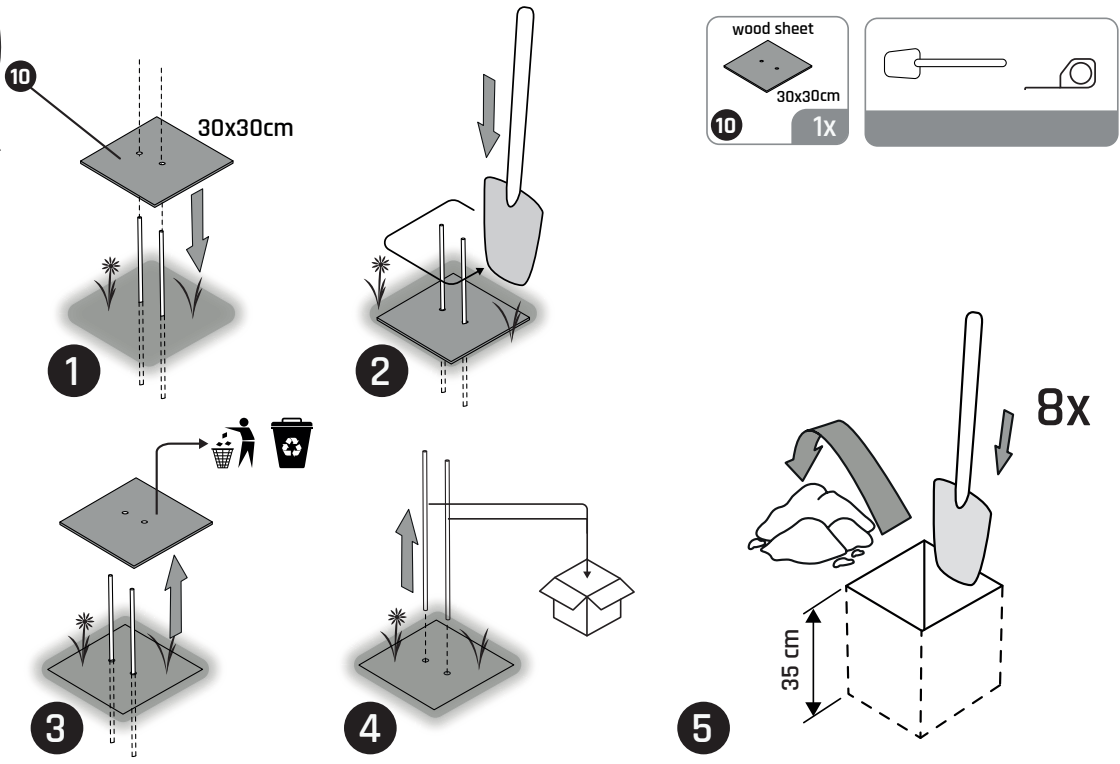


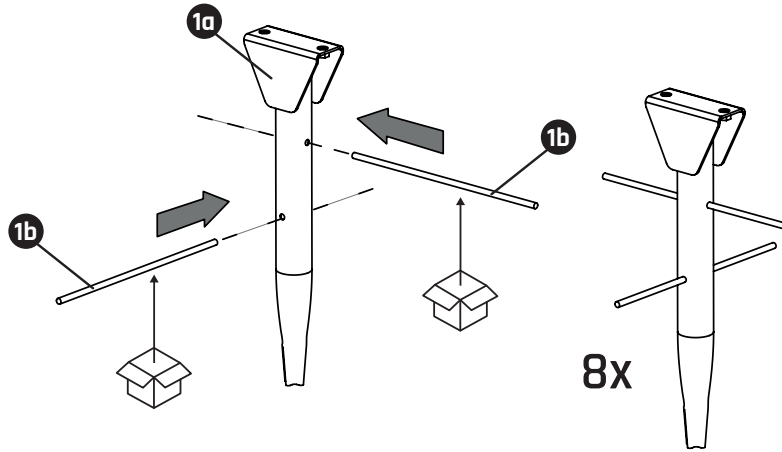
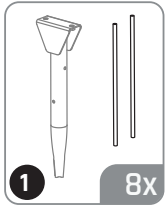


**3**

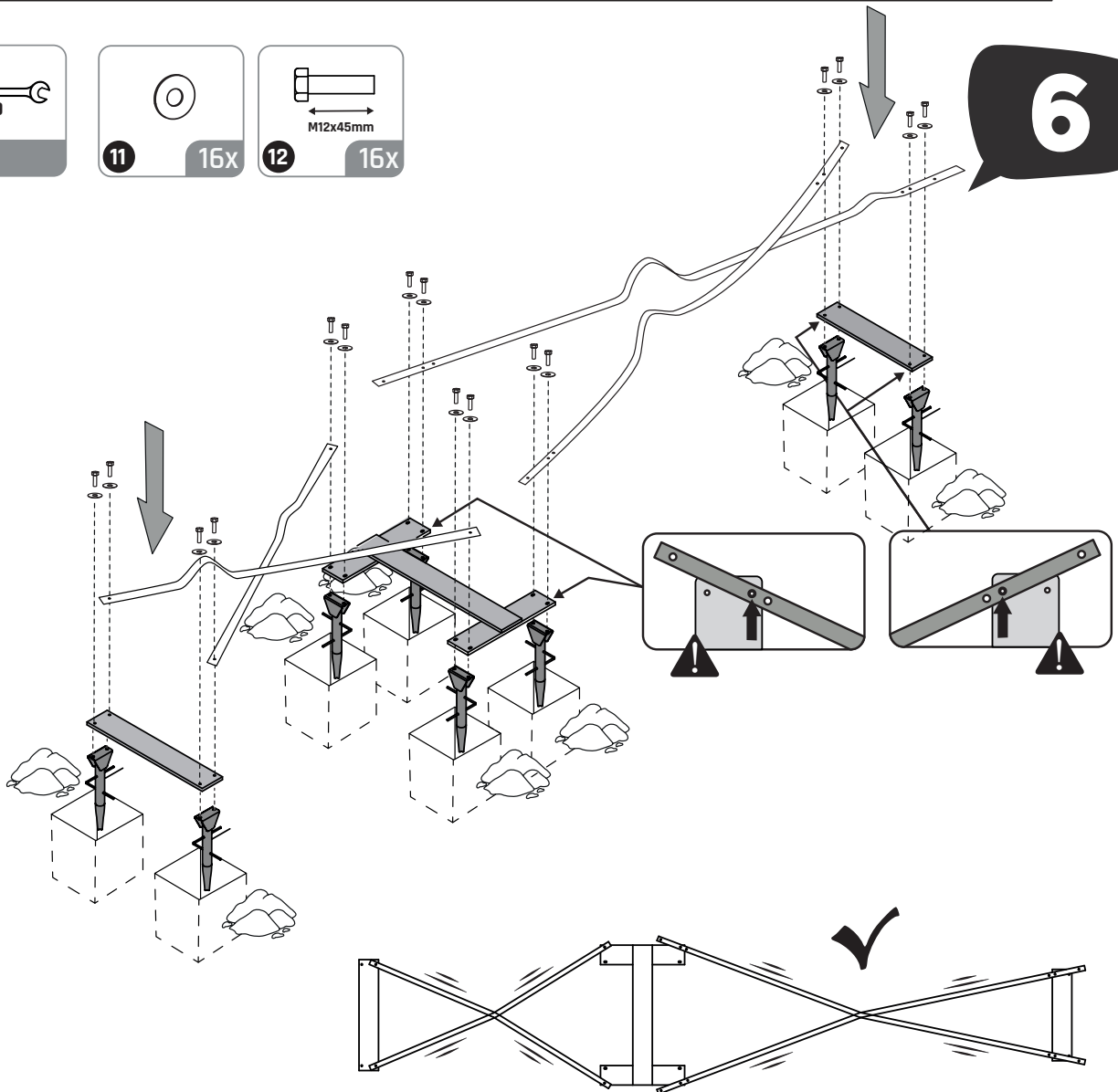
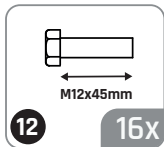
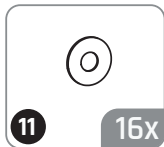
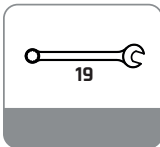


**4**

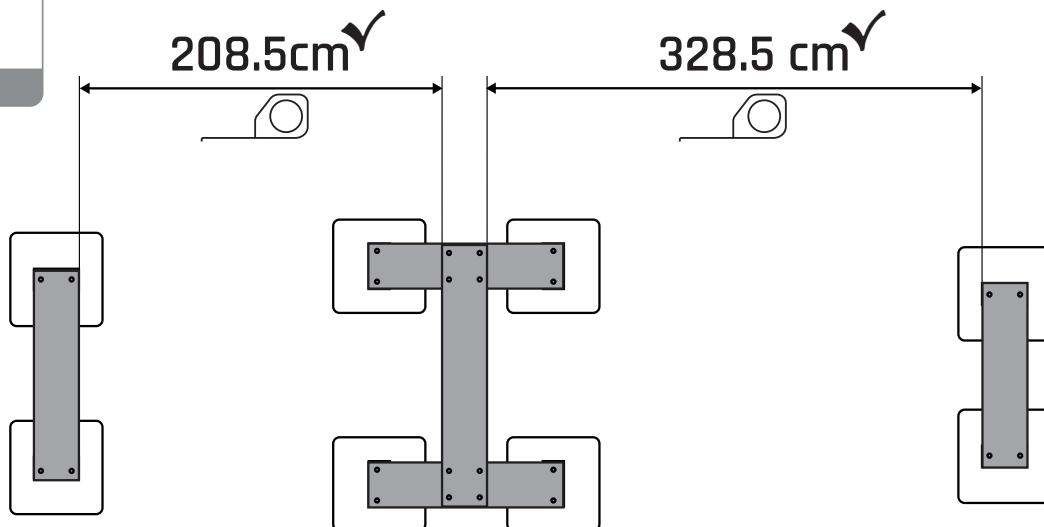
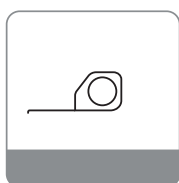
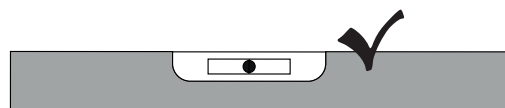
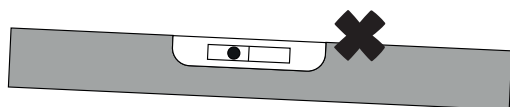
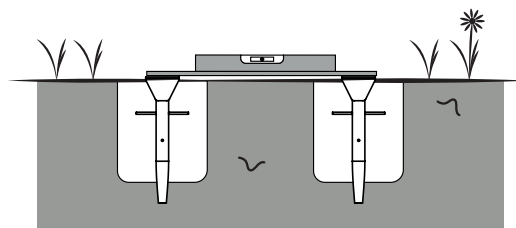
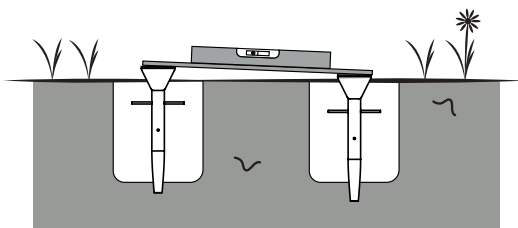
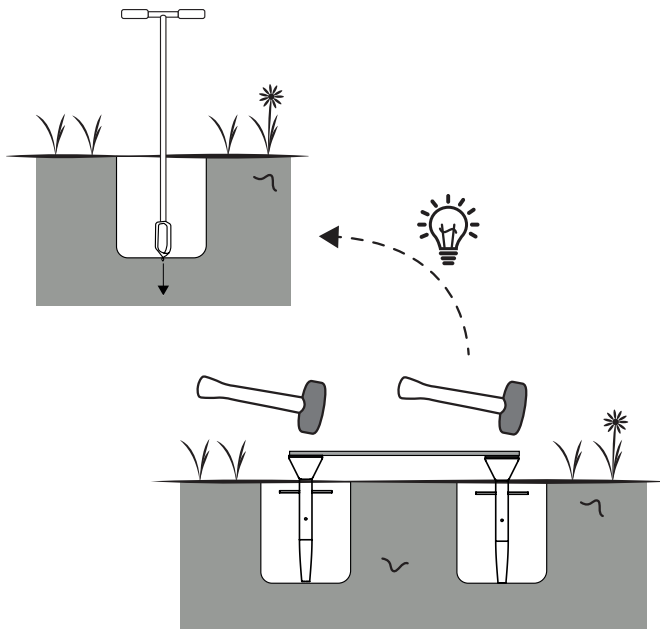
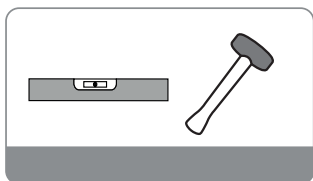




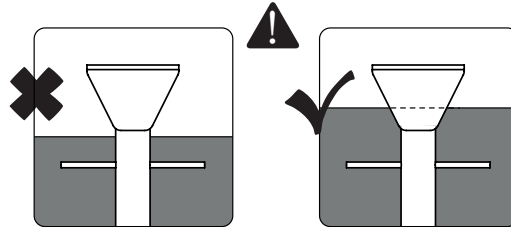
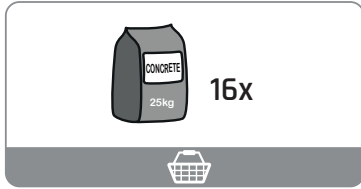
5



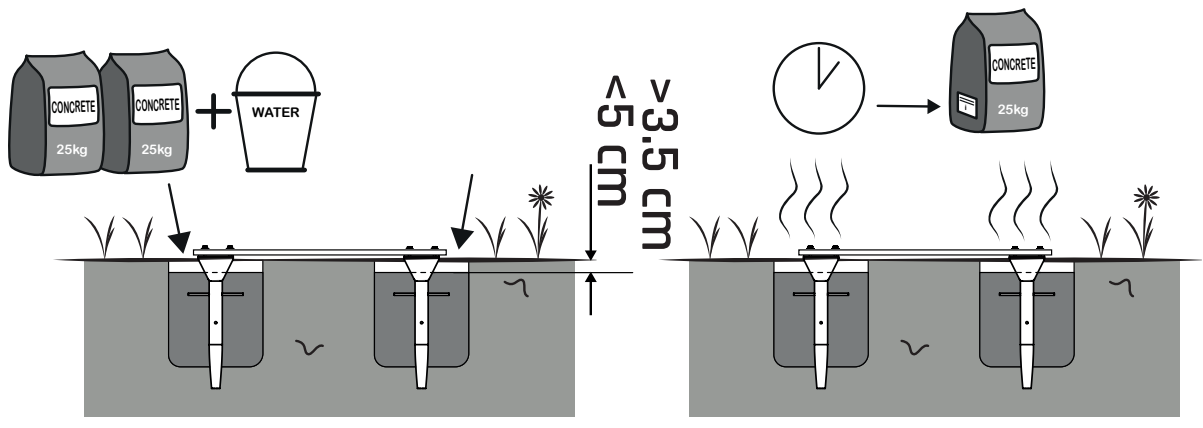
**7**



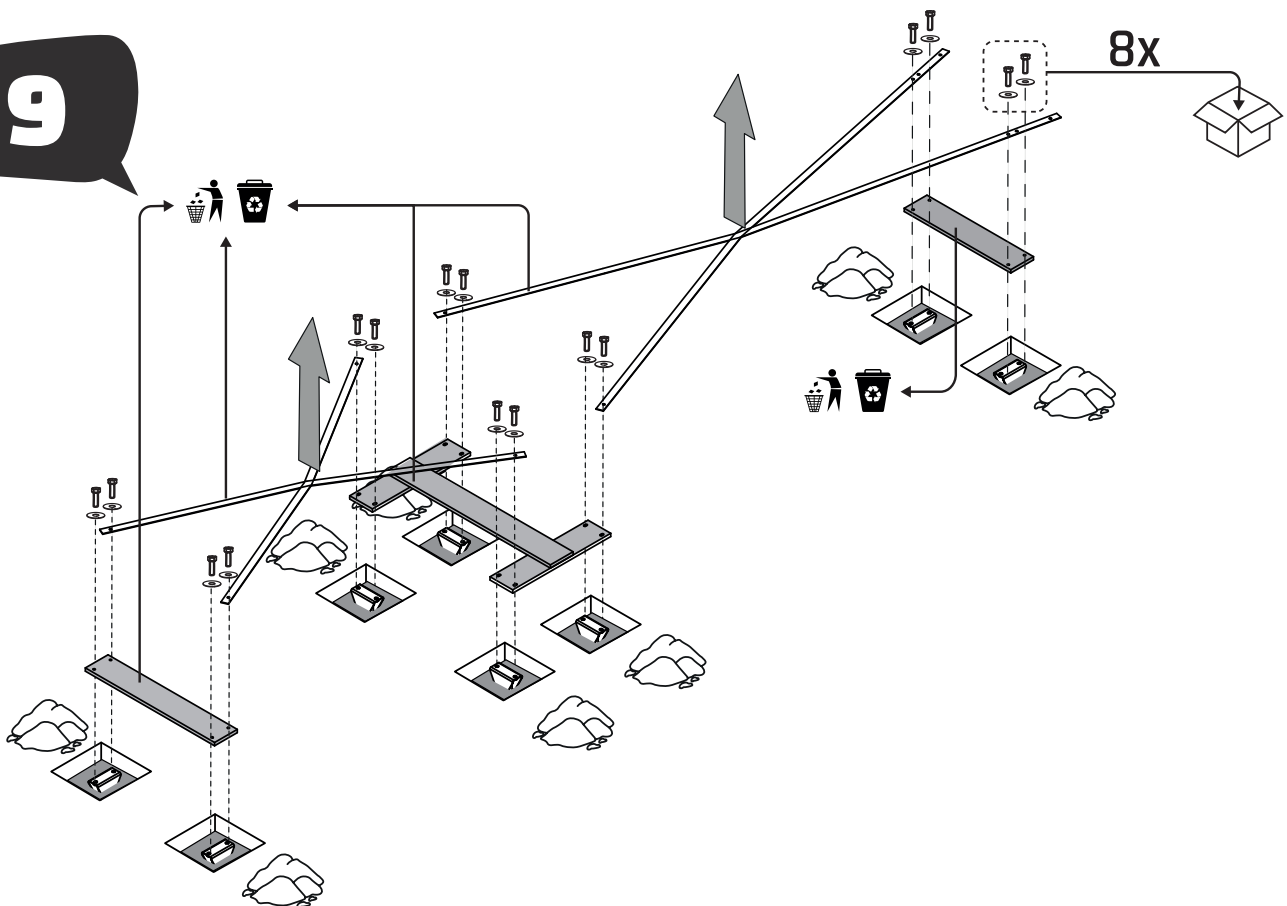


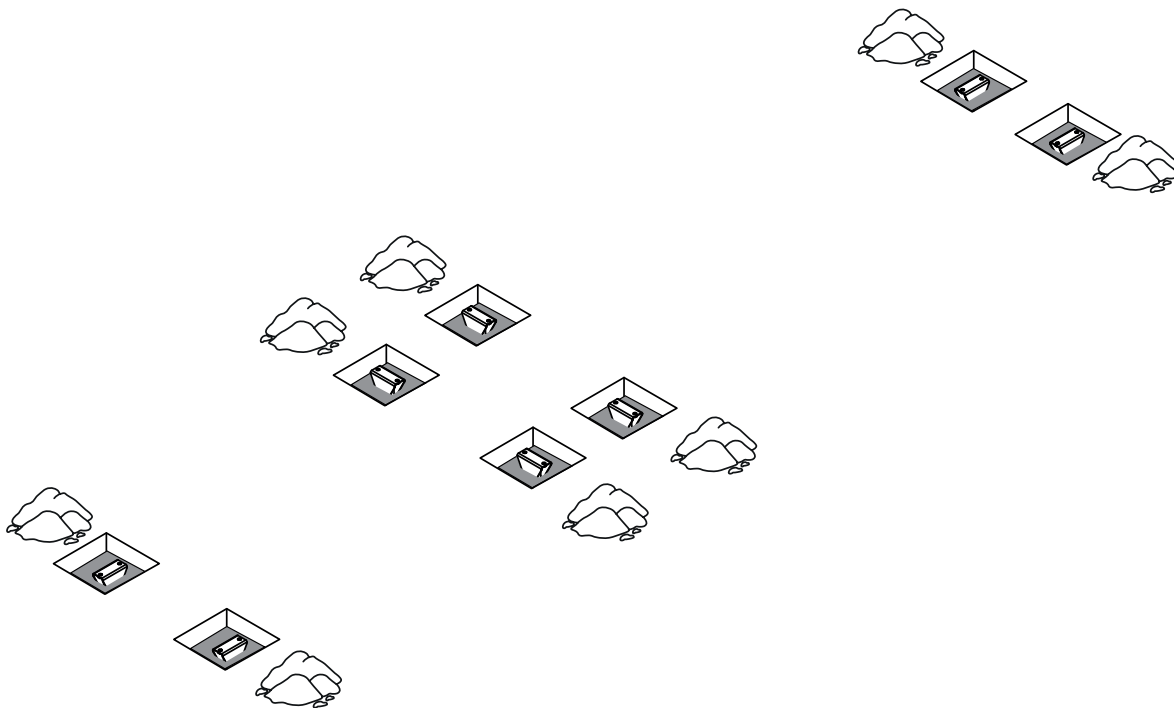


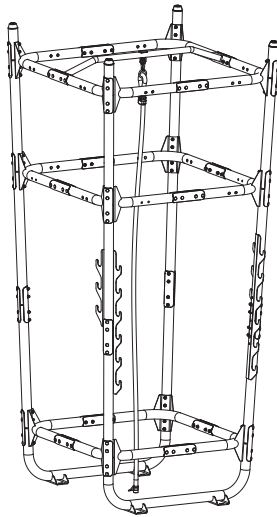
**8**



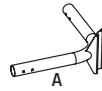
**9**







1



61.85.10.10 4X

2



61.80.30.10 40X

3



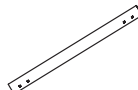
61.80.30.00 28X

4



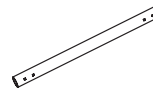
61.85.10.50 2X

5



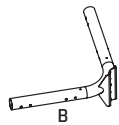
790mm  
61.85.20.79 4X

6



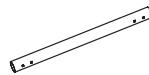
856mm  
61.85.20.86 4X

7



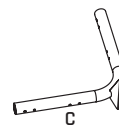
61.85.10.40 4X

8



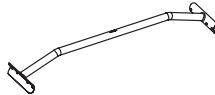
714mm  
61.85.20.71 4X

9



61.85.10.30 4X

10



54.90.14.00 1X

11



61.80.30.40 1X

12



61.80.30.50 1X

18



54.90.15.00 1X

17



54.90.44.00 1X

13



61.85.20.15 4X  
61.85.30.80 4X

14



M8x78mm 112X

15



M8 112X

16

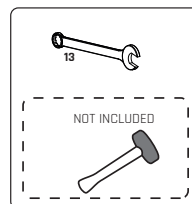


M8 112X

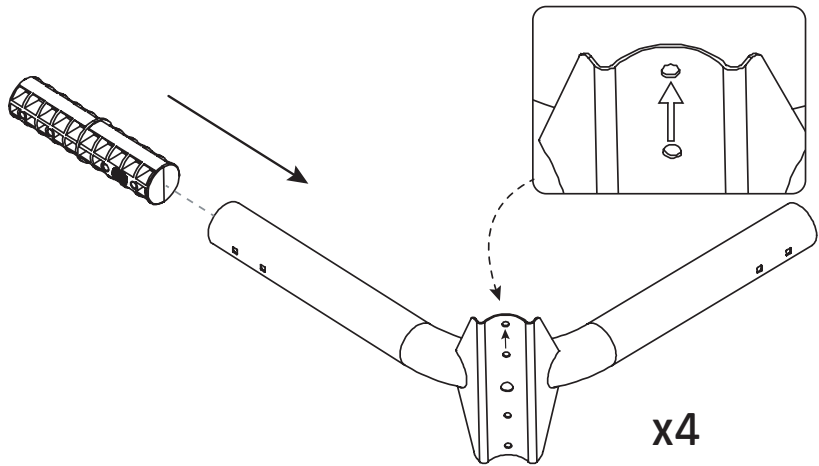
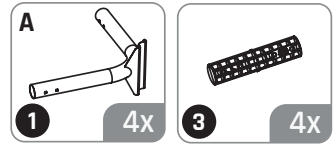
19



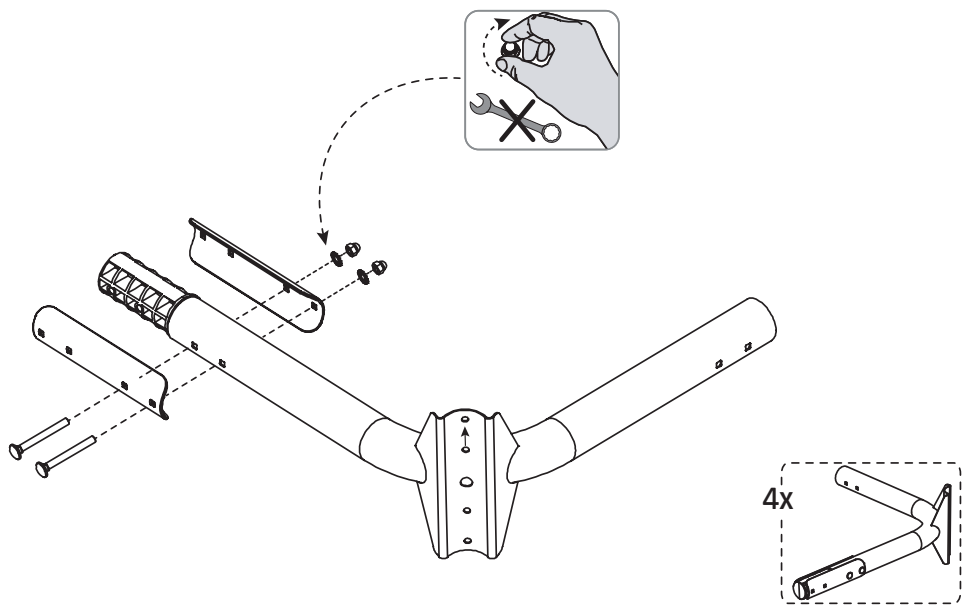
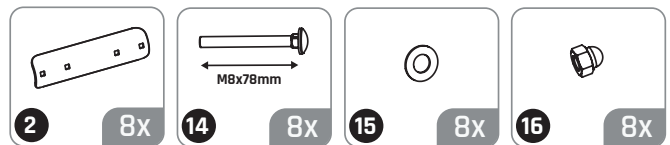
61.90.44.10 1X



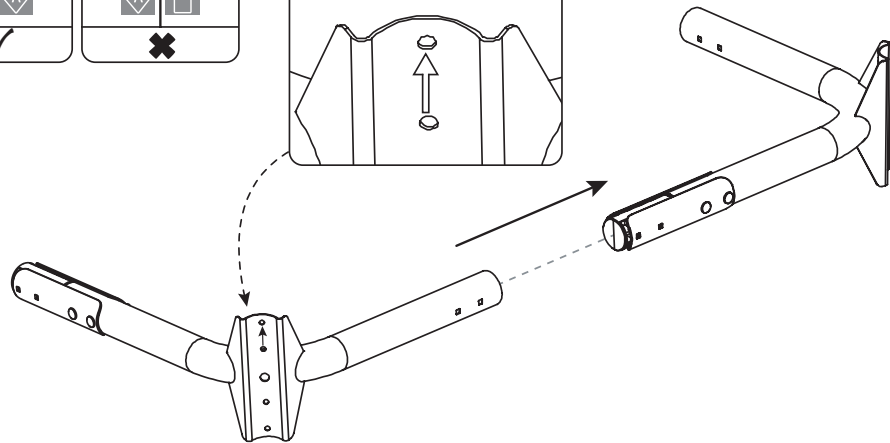
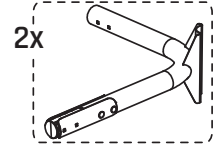
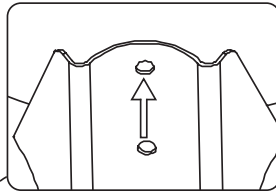
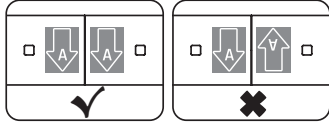
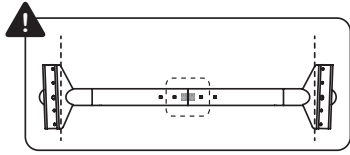
**1**



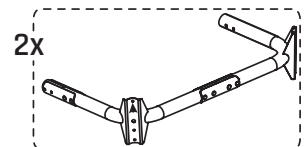
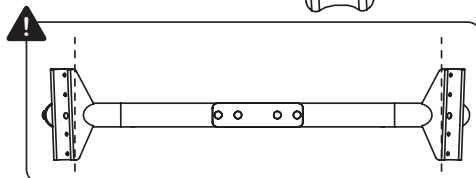
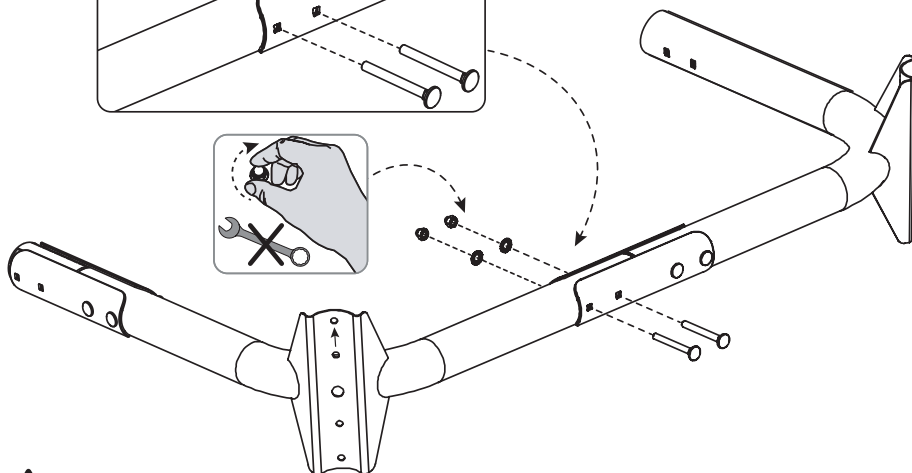
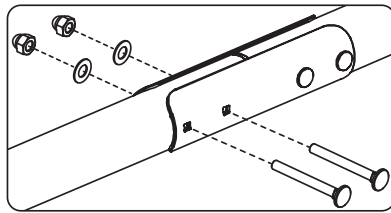
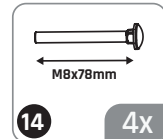
**2**



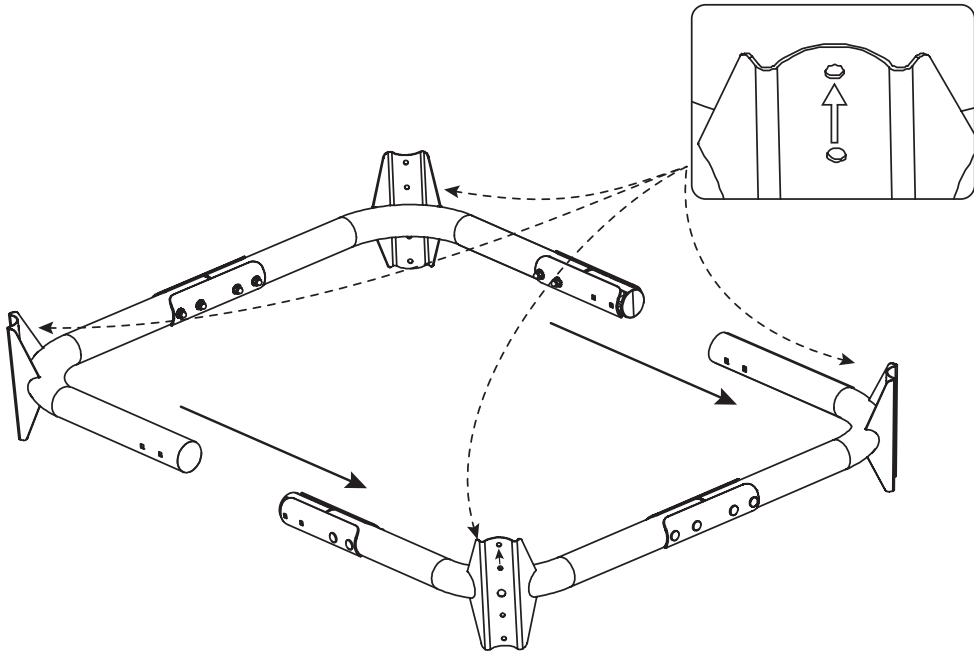
3



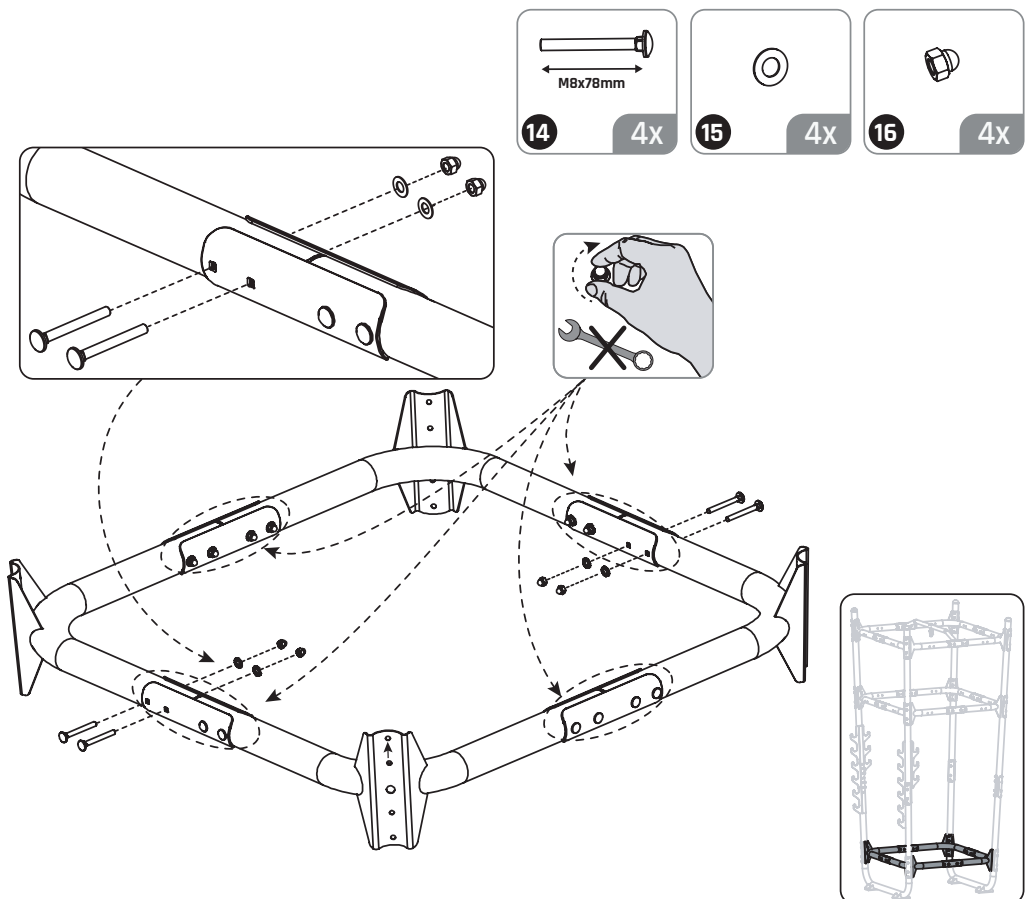
4



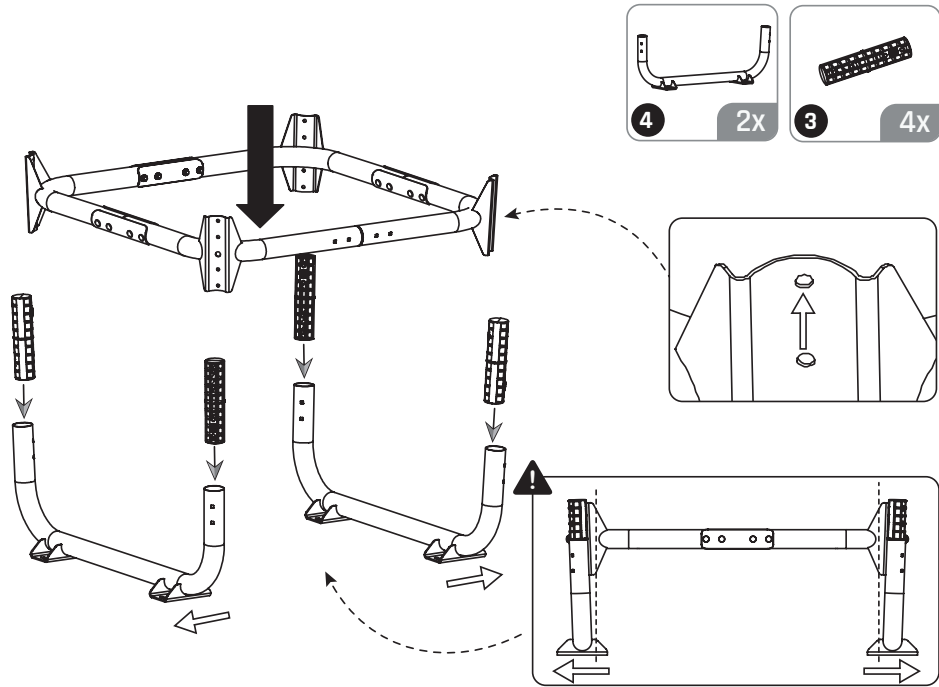
**5**



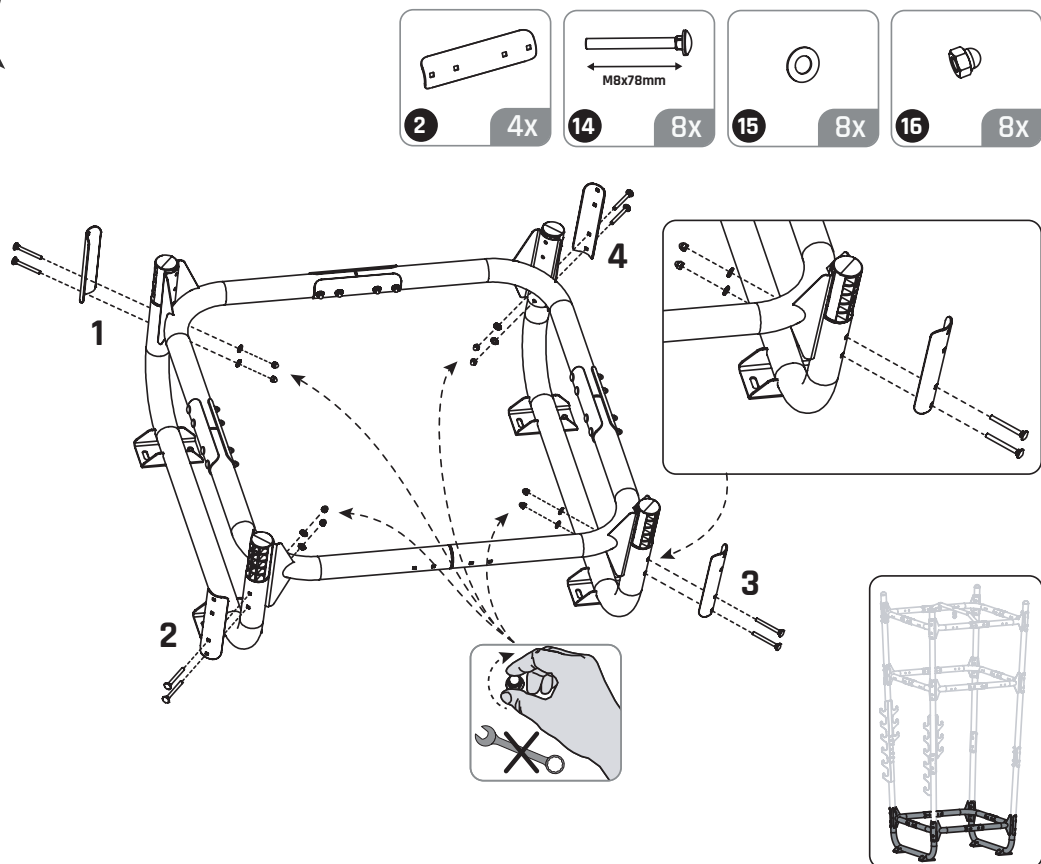
**6**



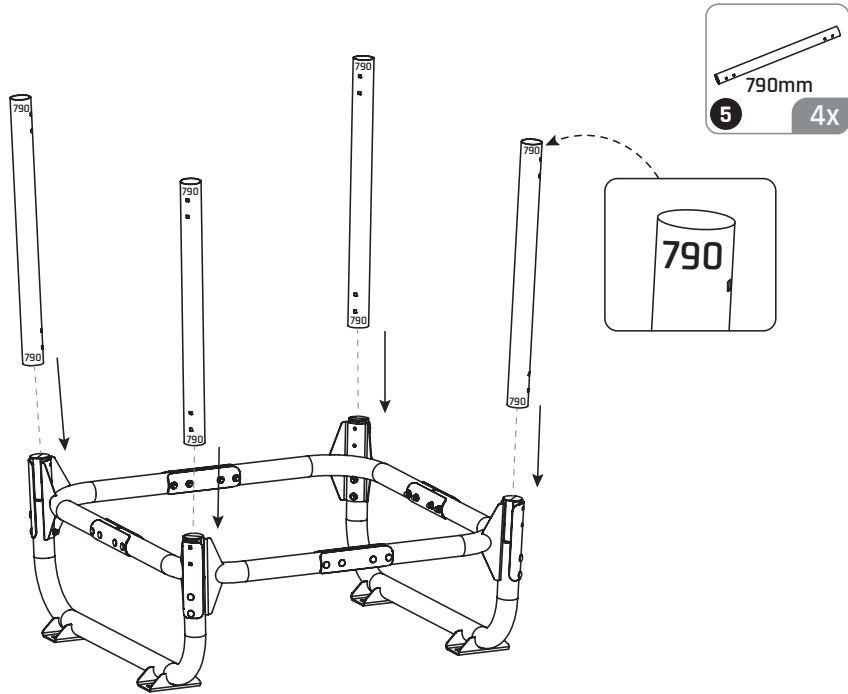
7



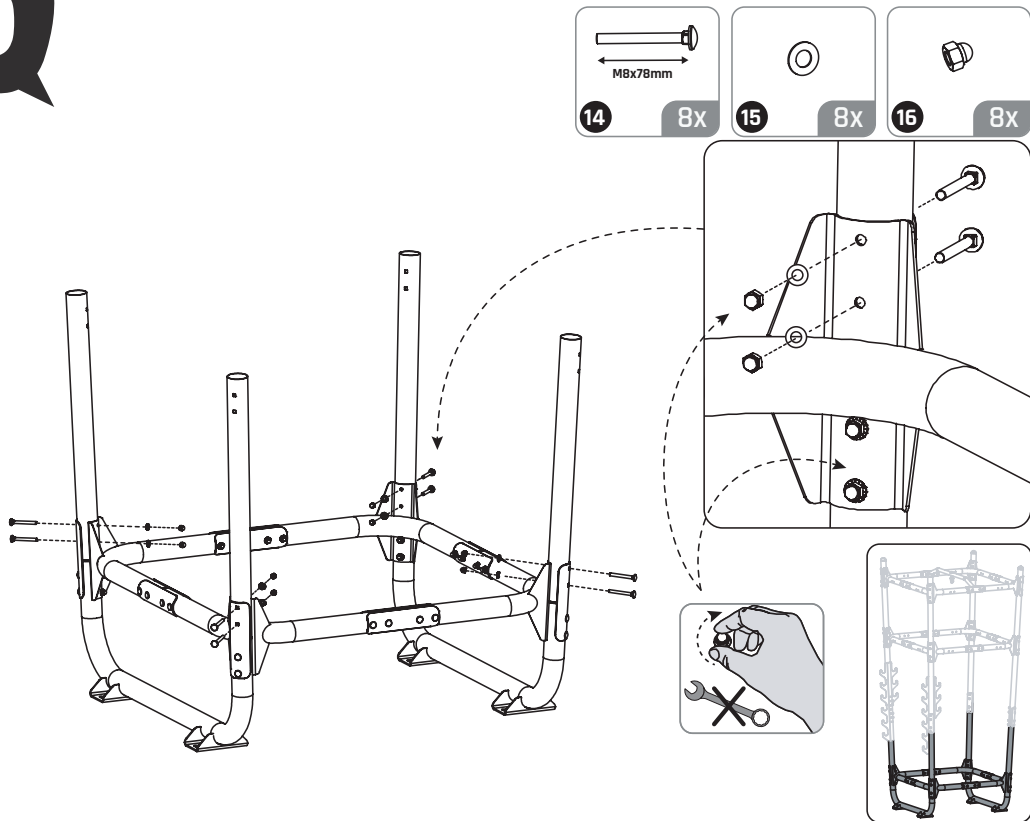
8



**9**

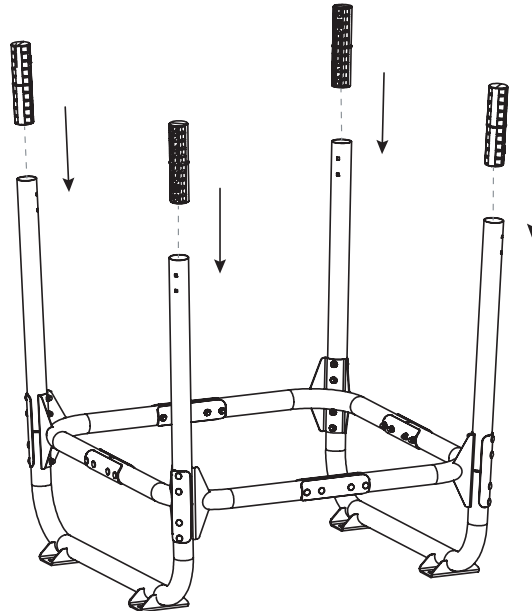
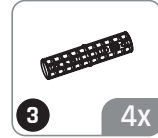


**10**

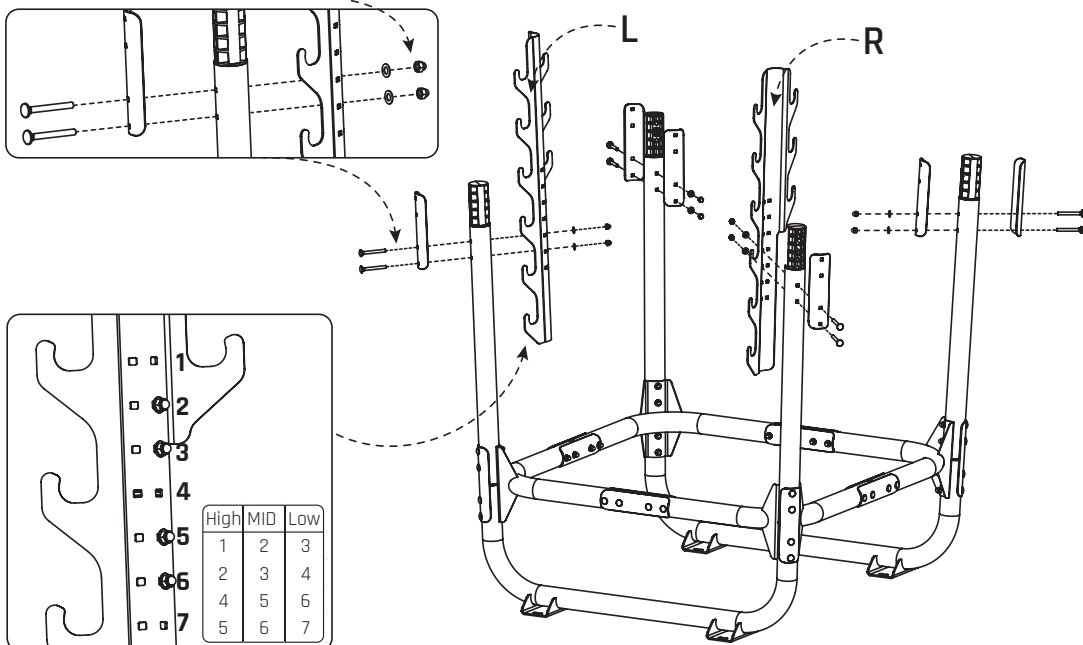
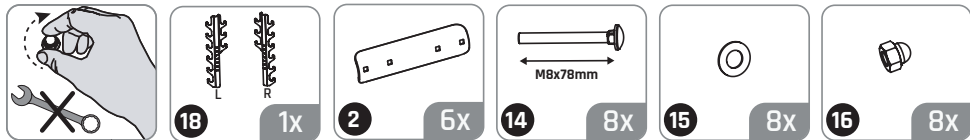




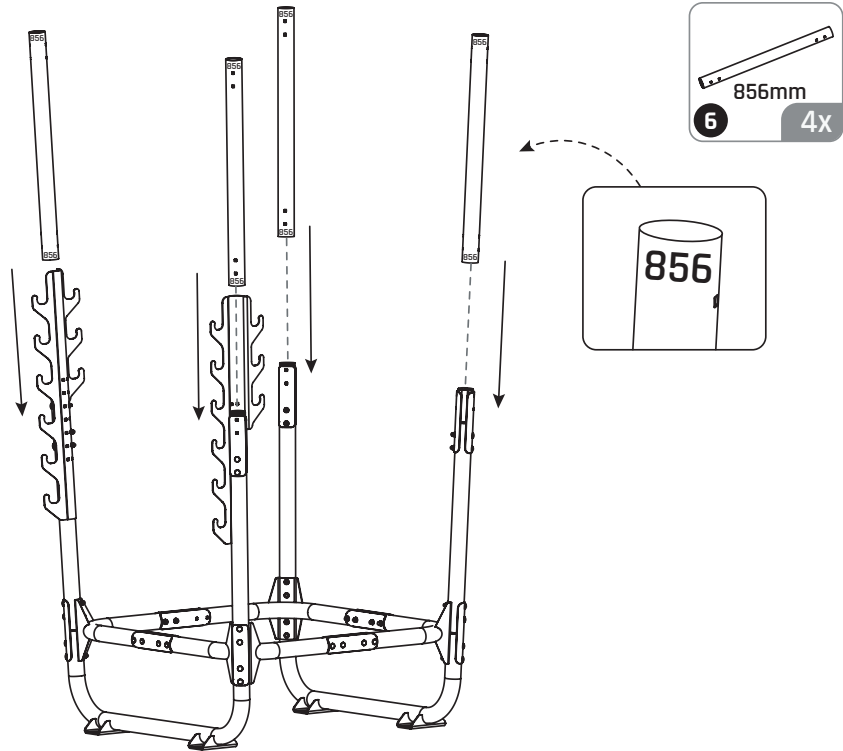
11



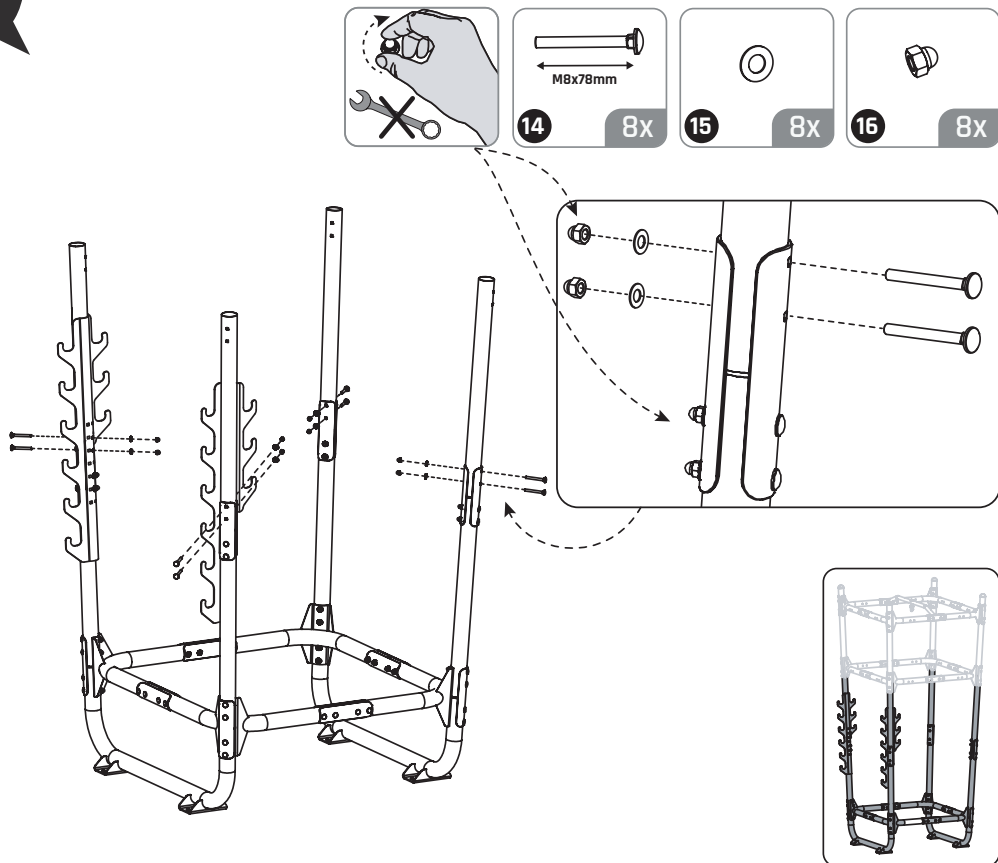
12



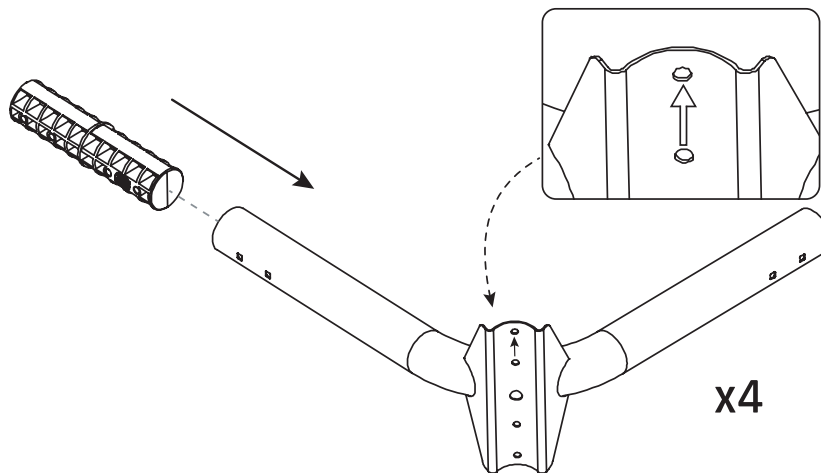
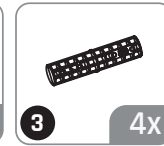
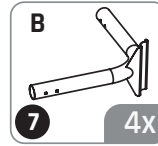
**13**



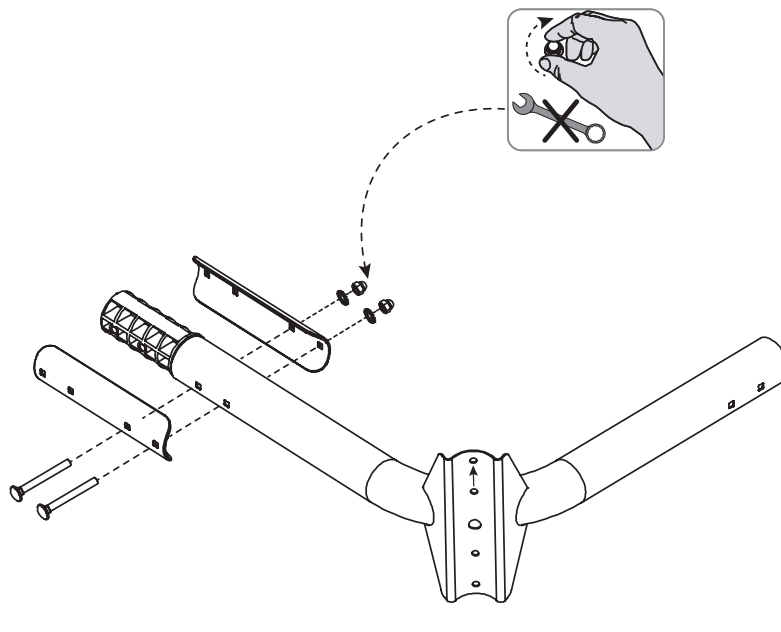
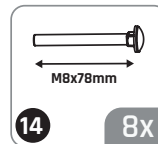
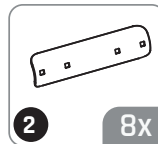
**14**



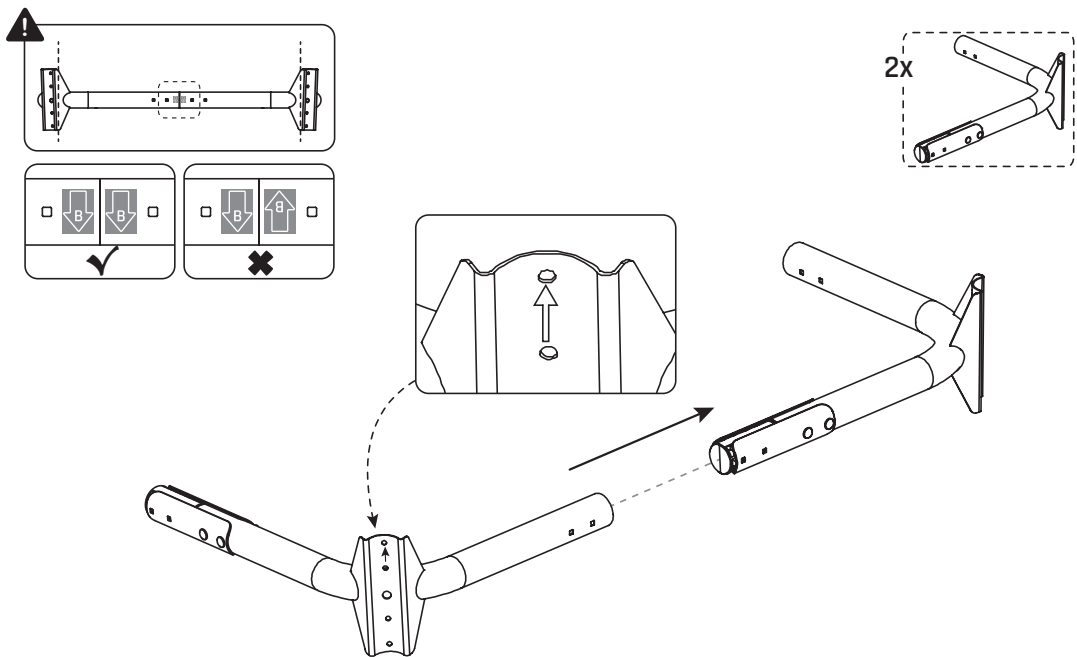
**15**



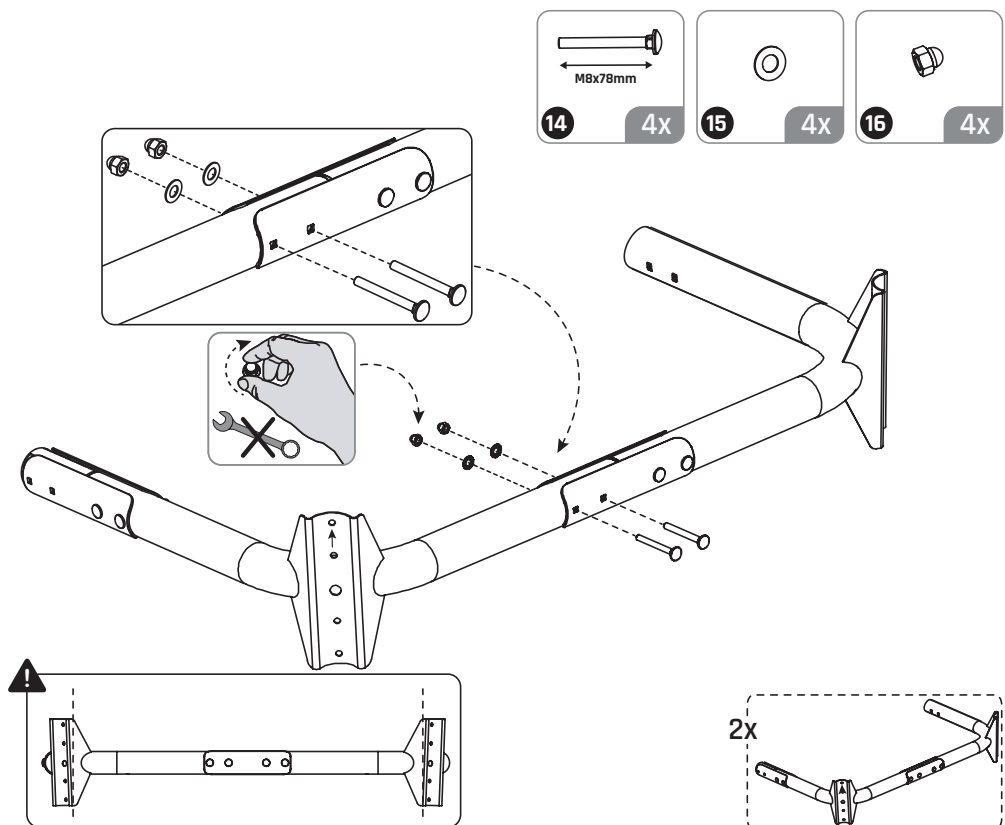
**16**



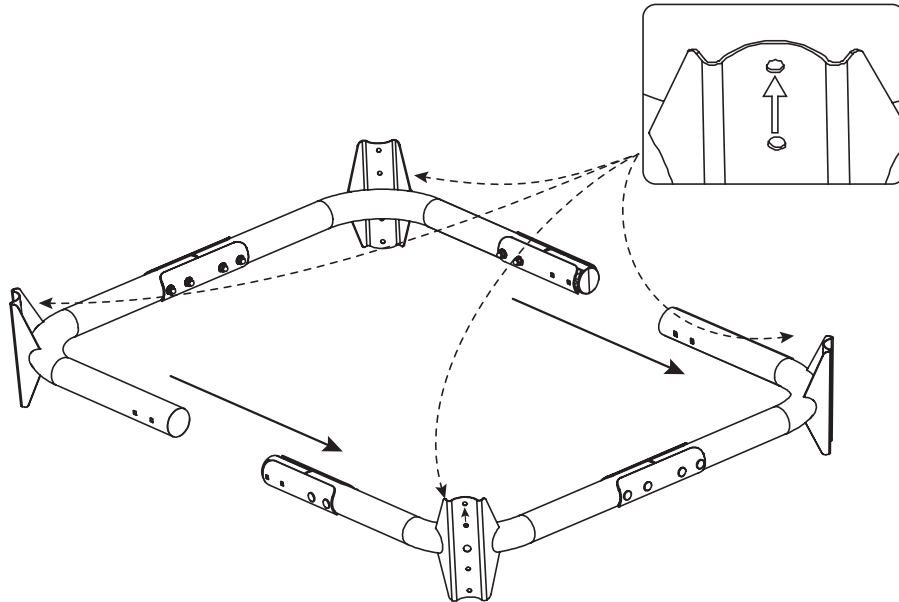
**17**



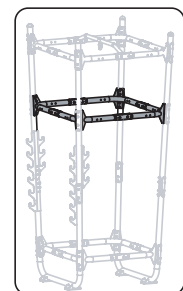
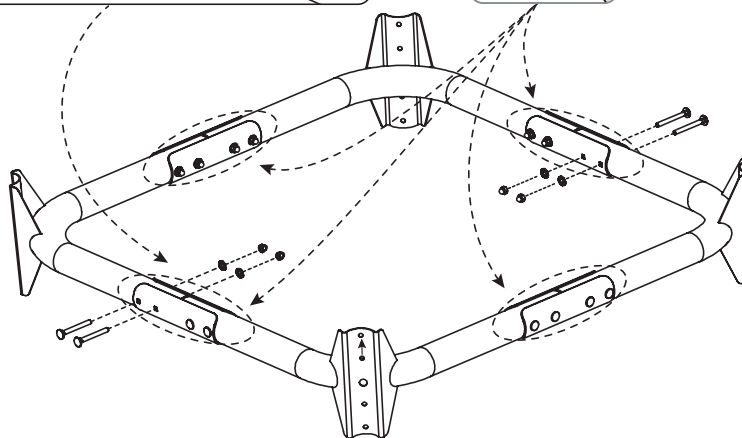
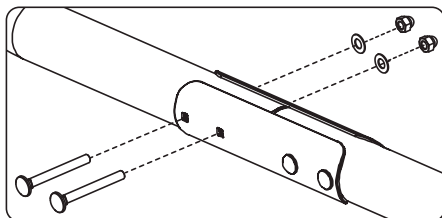
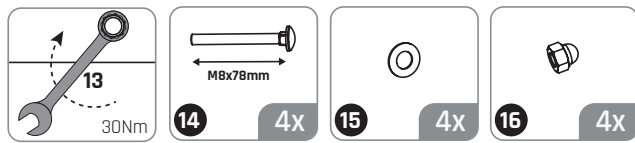
**18**



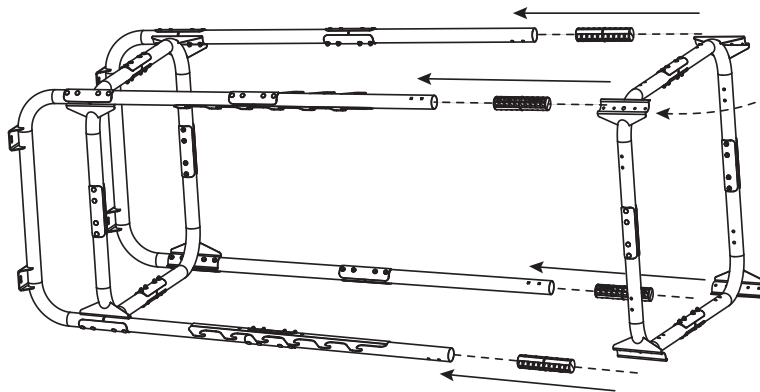
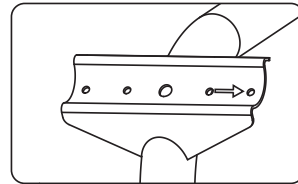
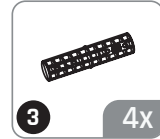
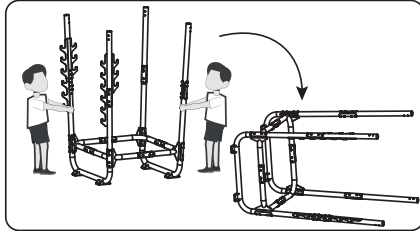
19



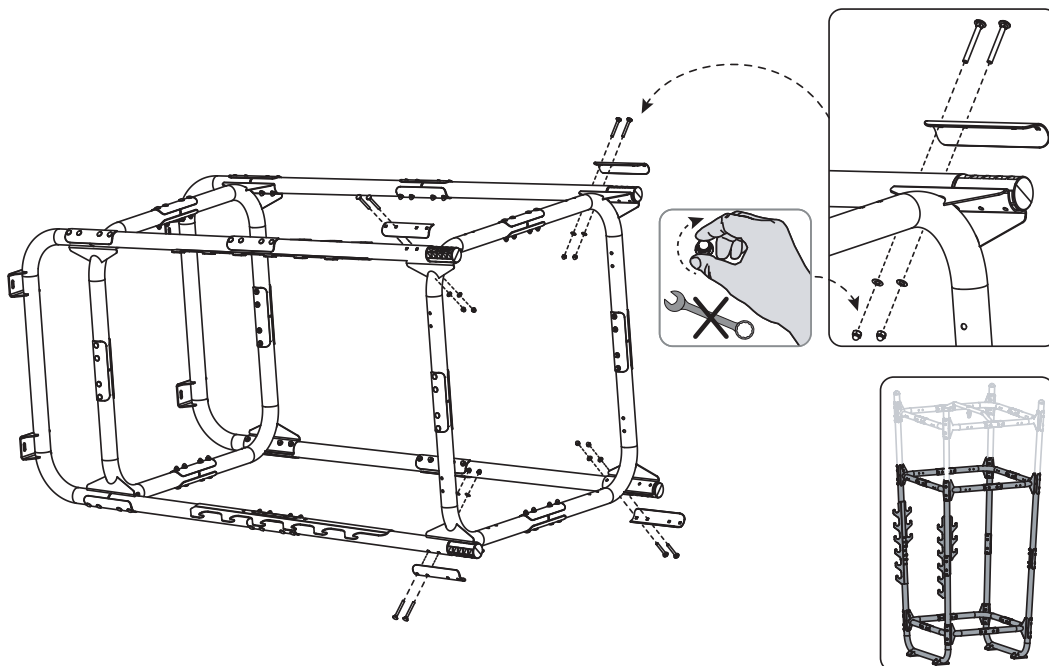
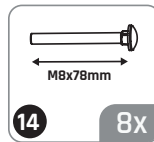
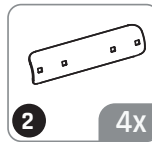
20



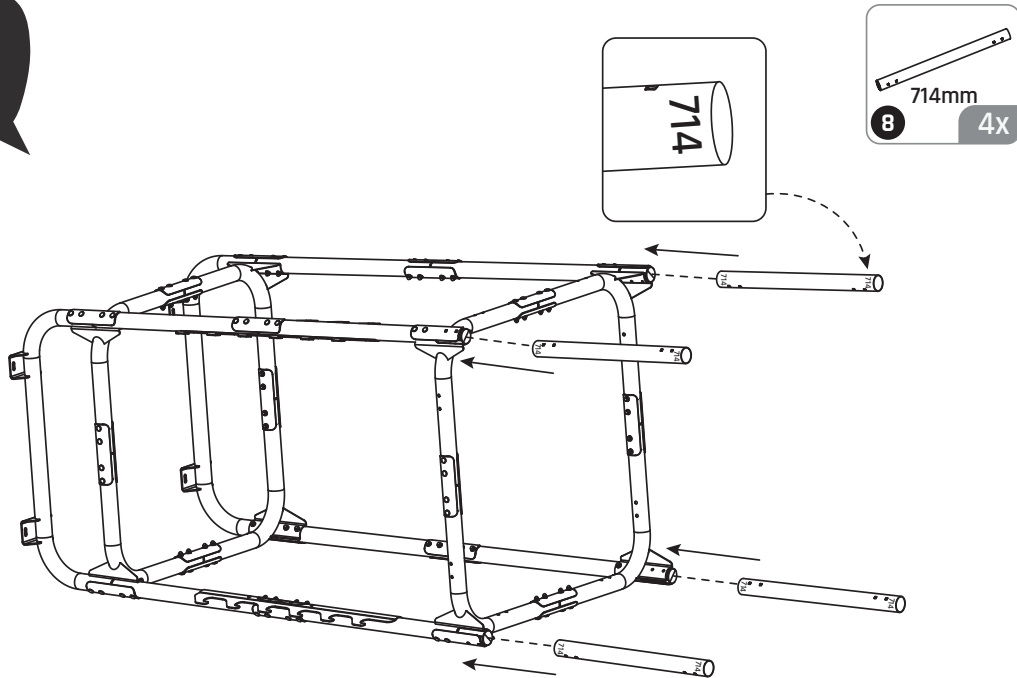
**21**



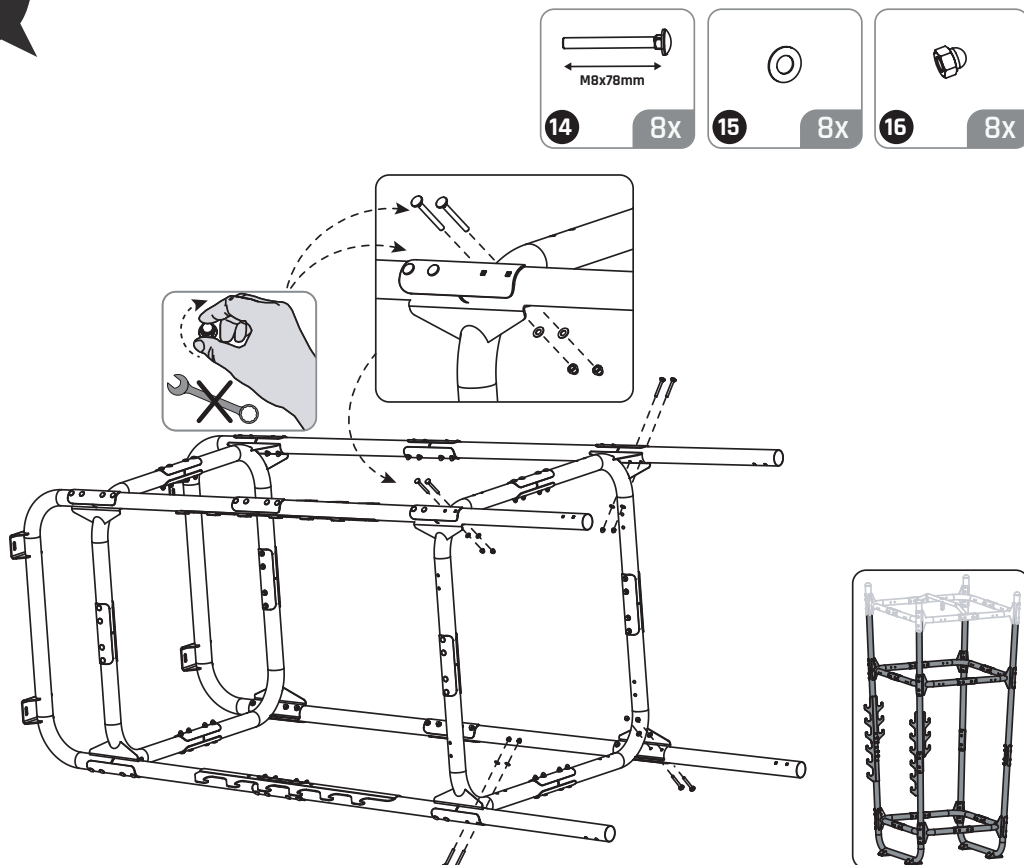
**22**



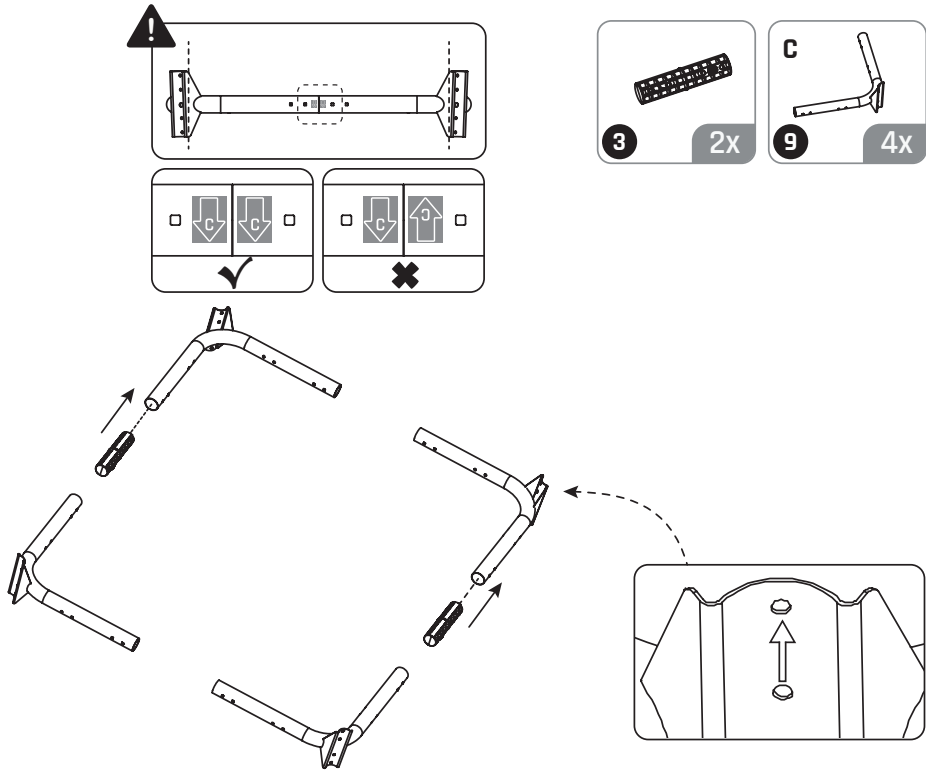
23



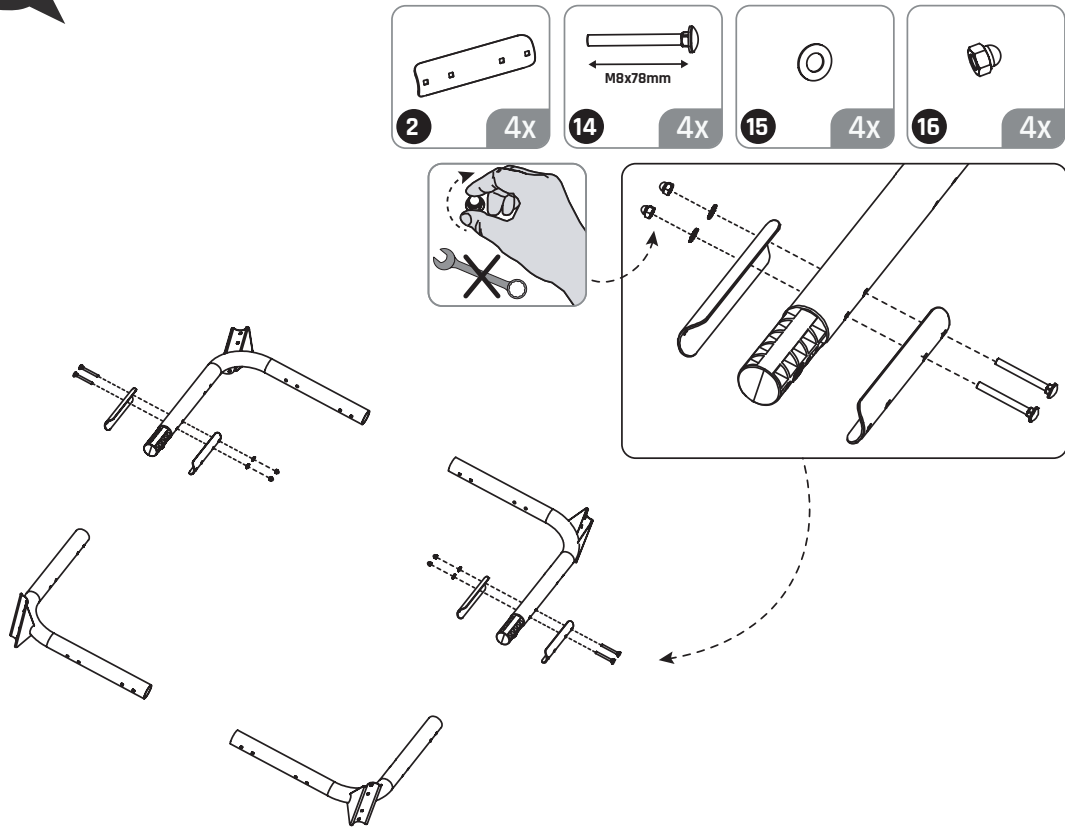
24



**25**

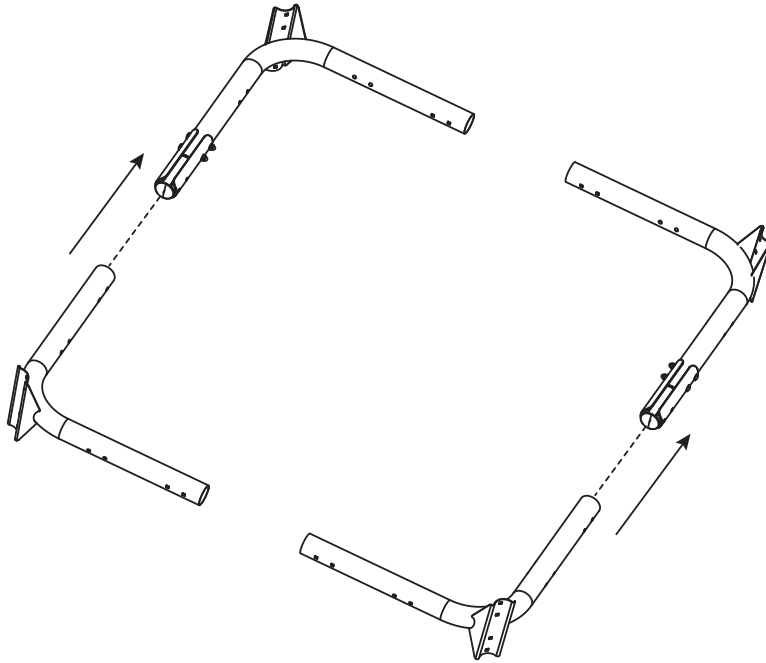


**26**

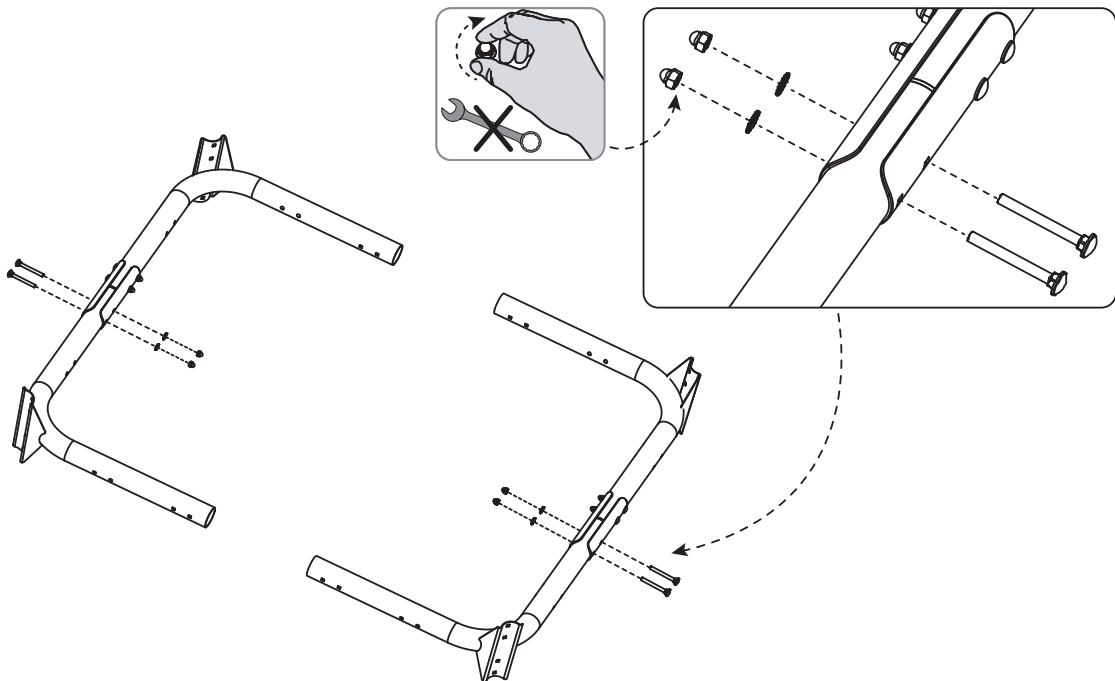
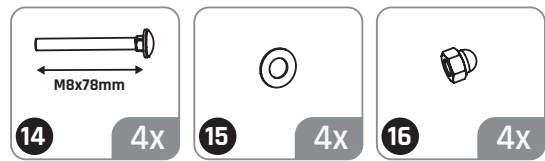




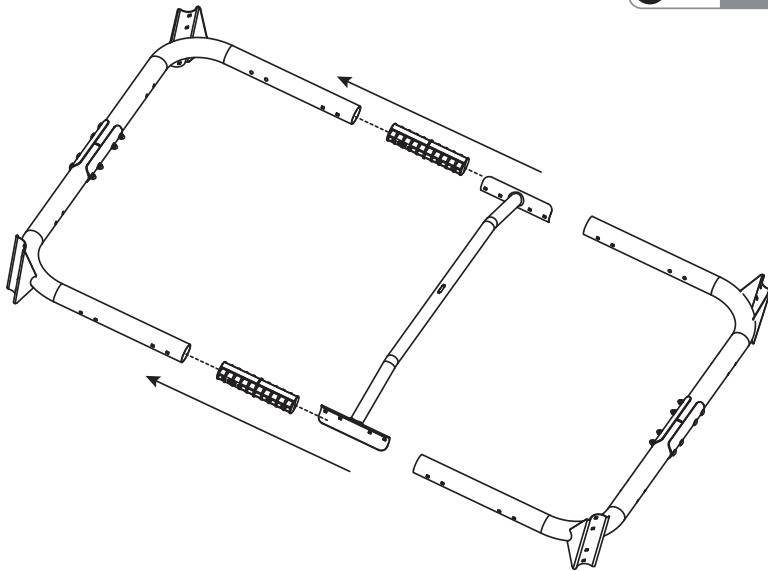
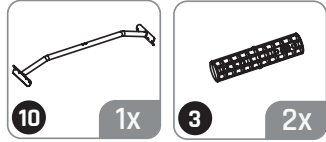
**27**



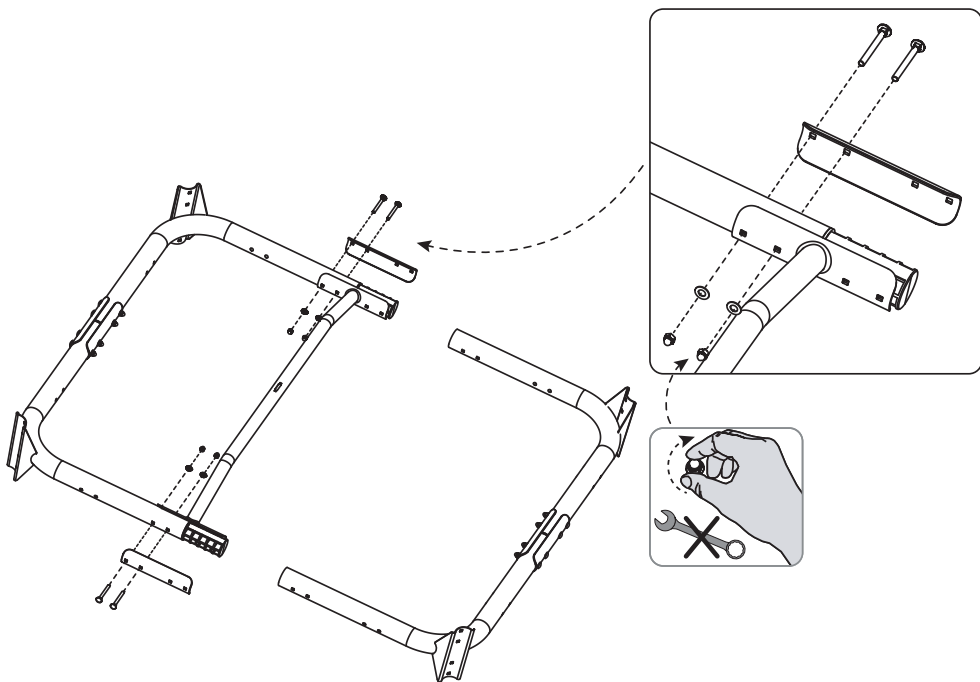
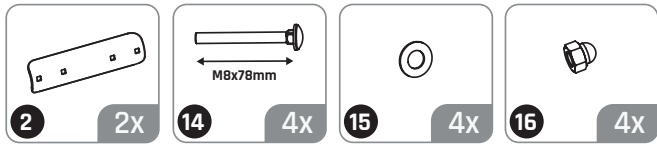
**28**



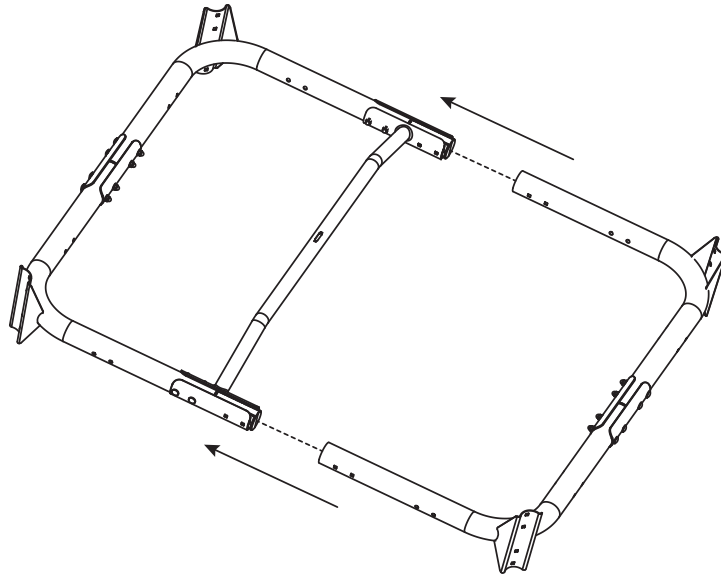
**29**



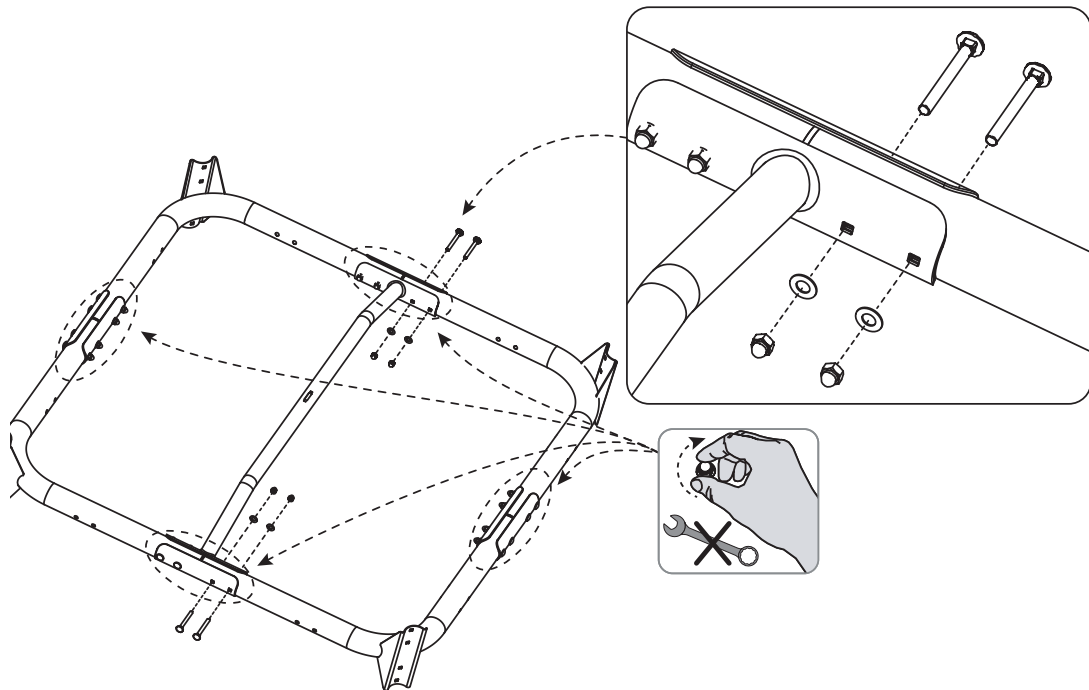
**30**



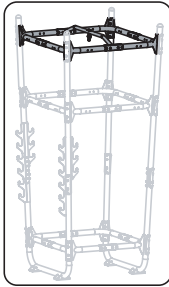
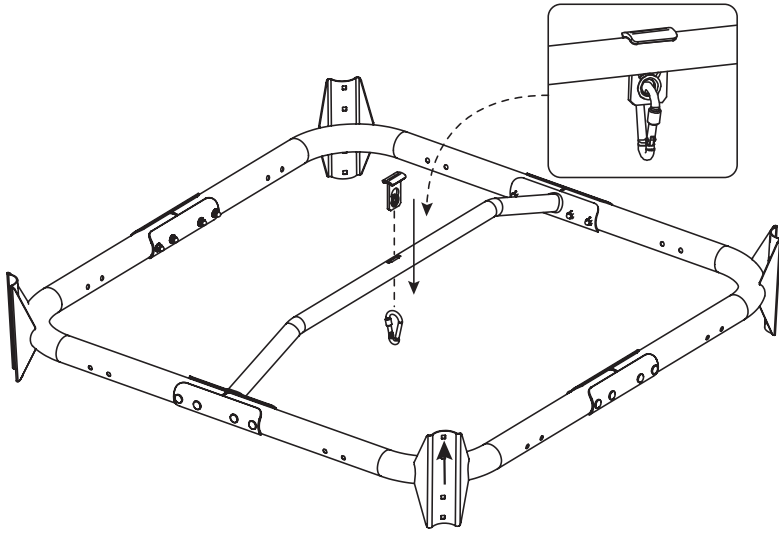
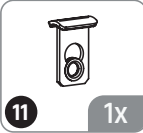
31



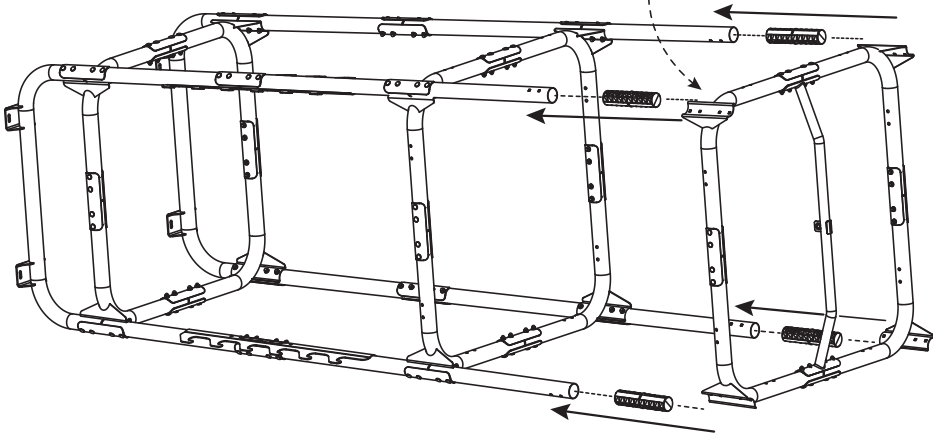
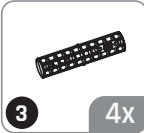
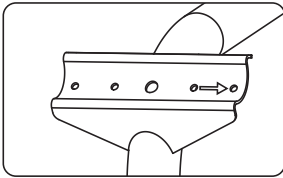
32



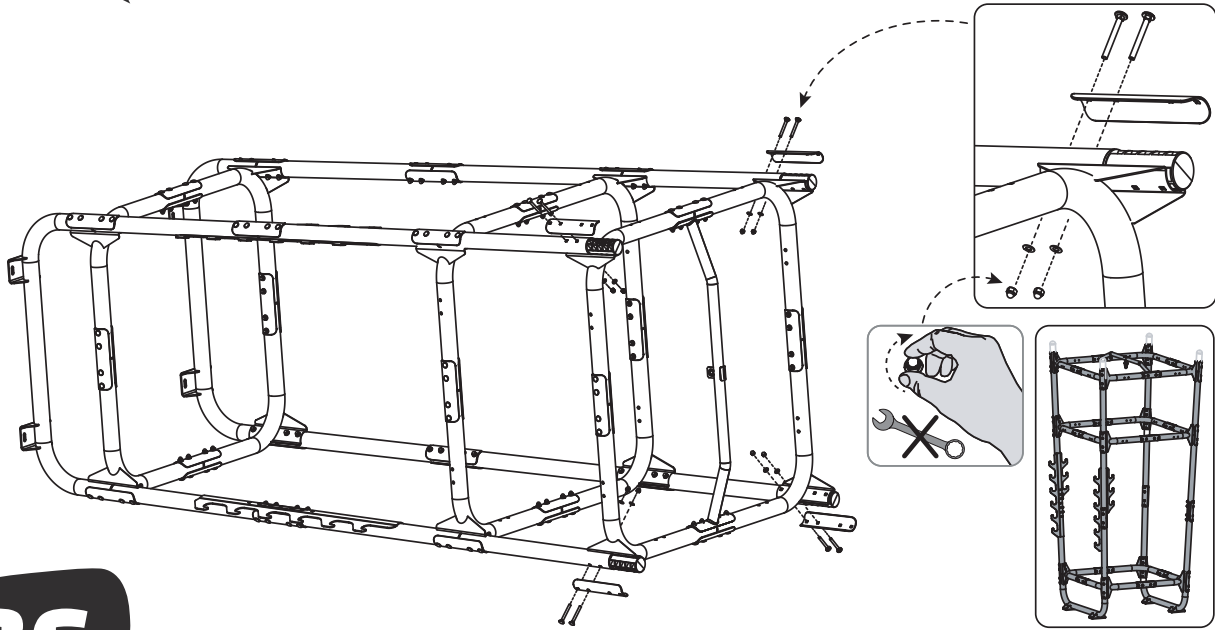
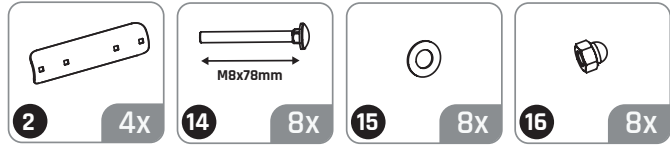
**33**



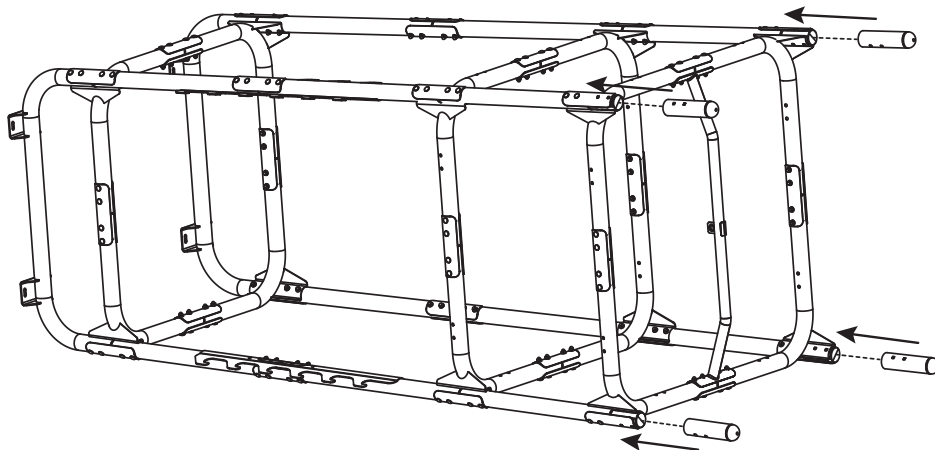
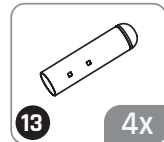
**34**



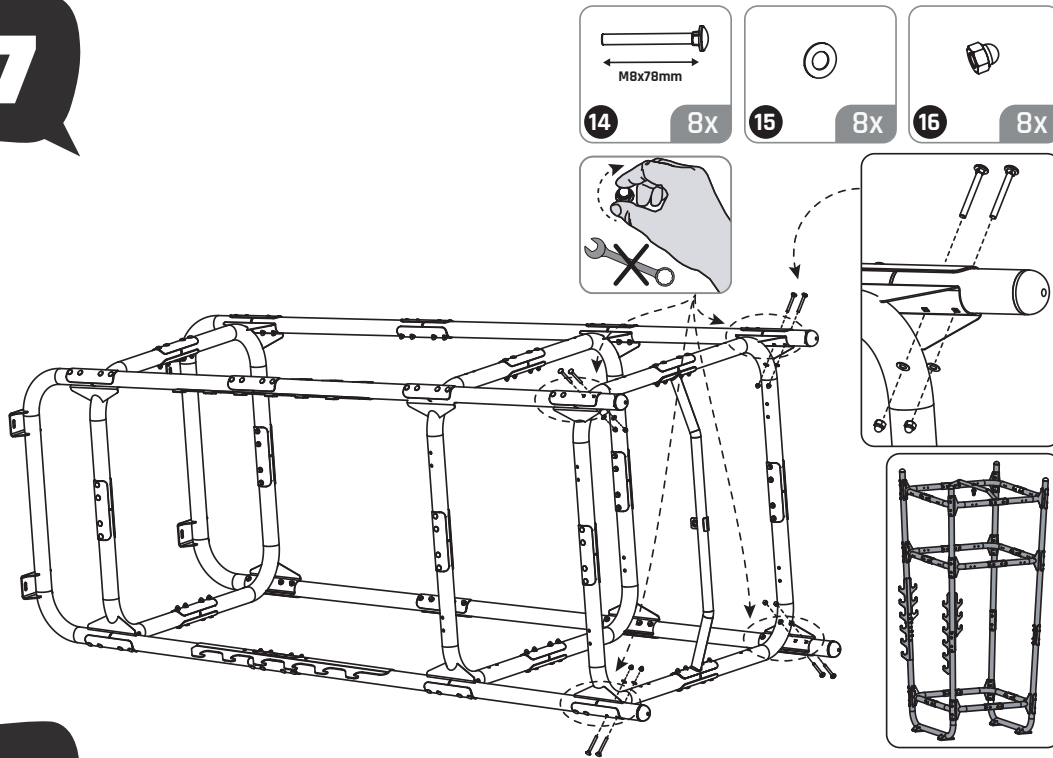
35



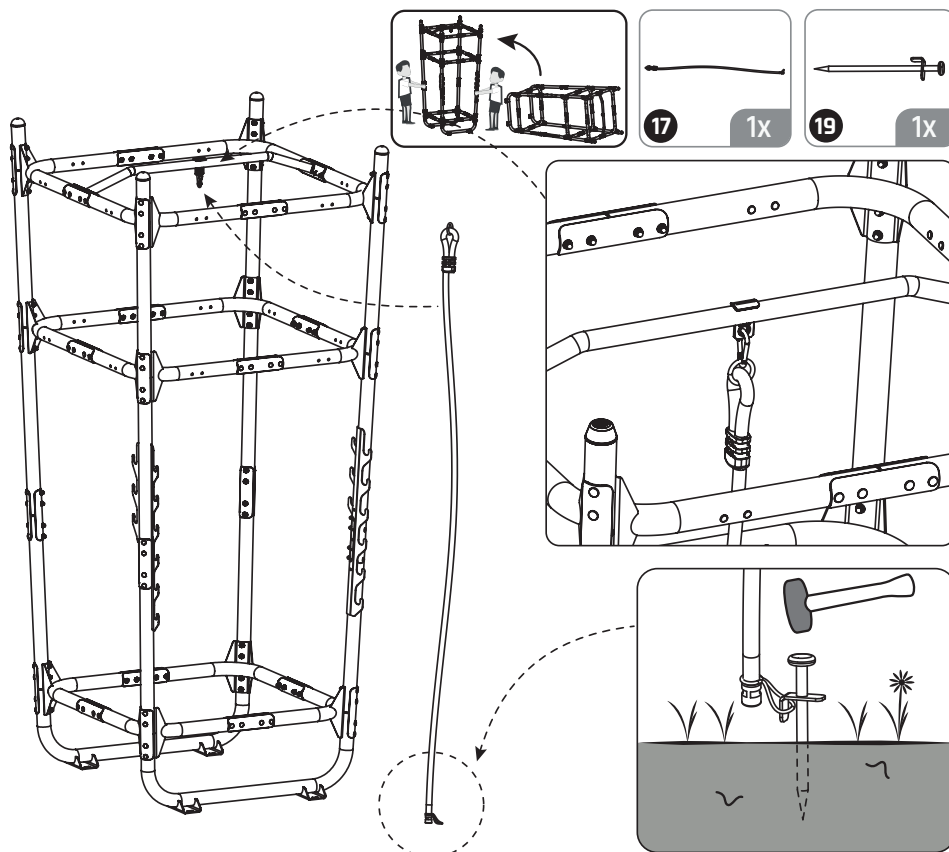
36



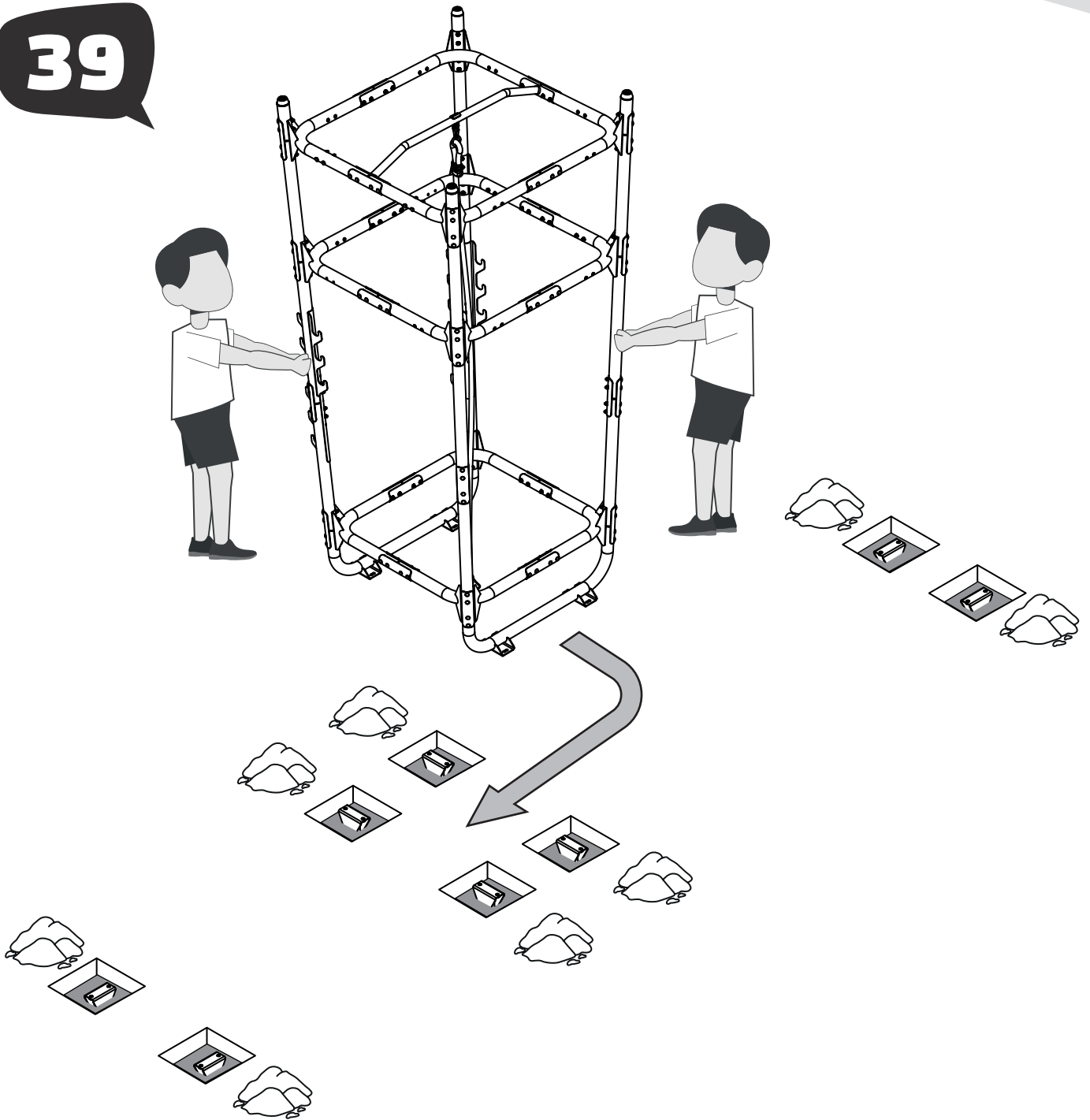
**37**



**38**

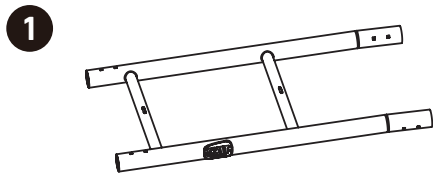
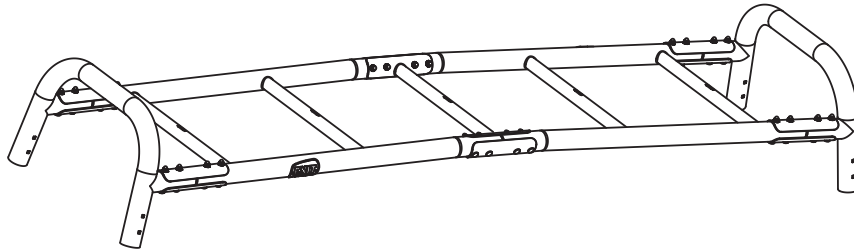


**39**

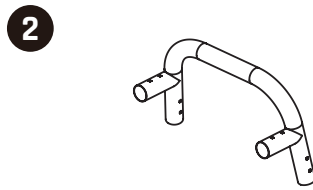








61.82.10.20 2X



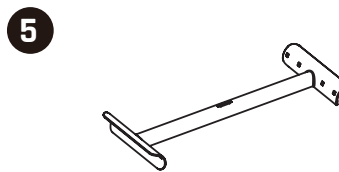
61.82.10.10 2X



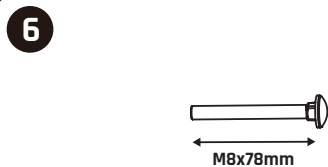
61.80.30.00 6X



61.80.30.10 10X



61.82.10.50 1X



M8x78mm 24X

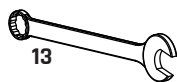


M8 24X



M8 24X

61.82.40.40 1X

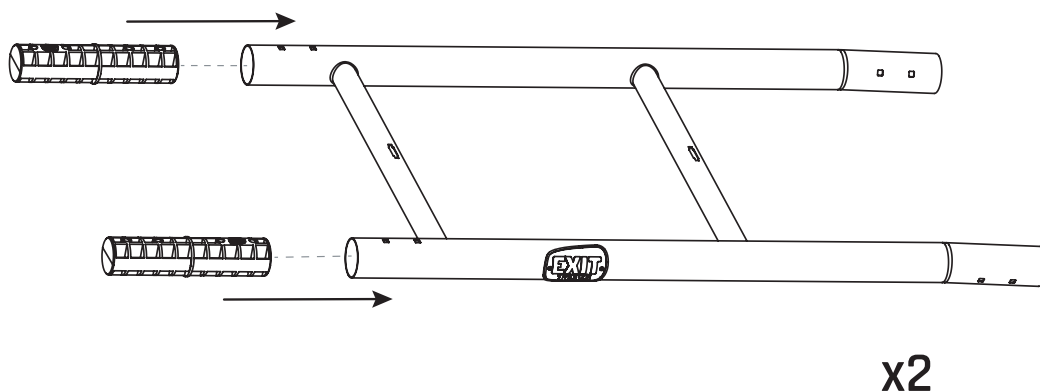
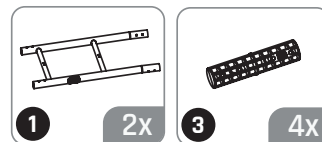


13

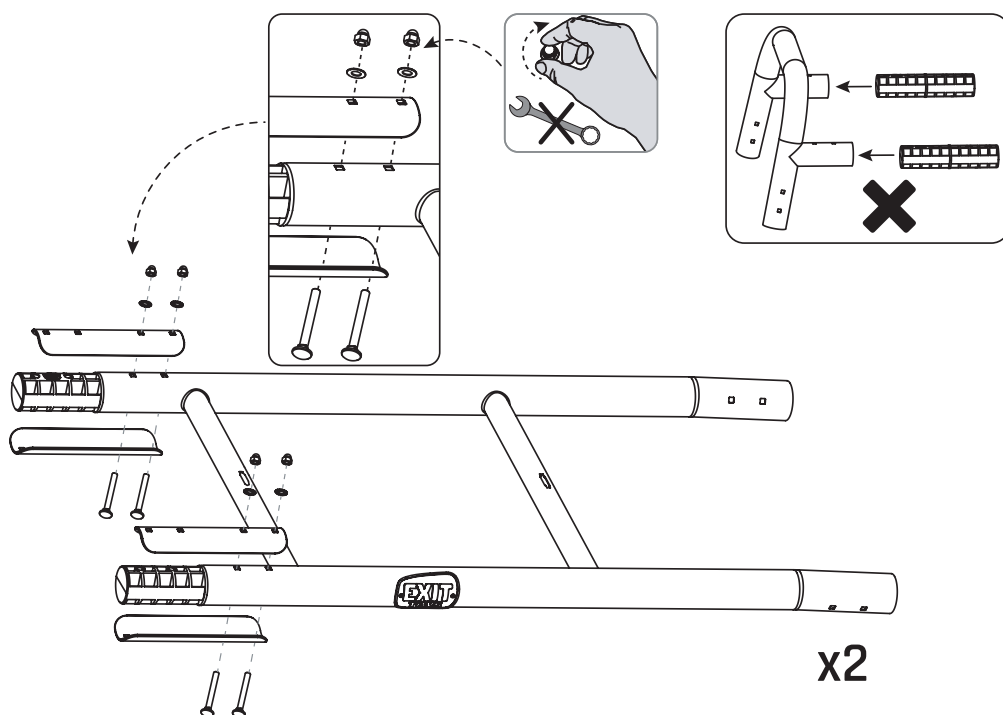
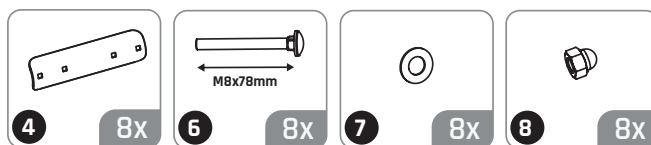
NOT INCLUDED



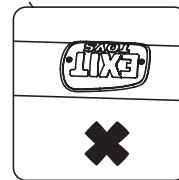
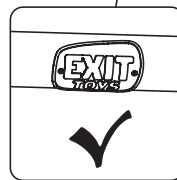
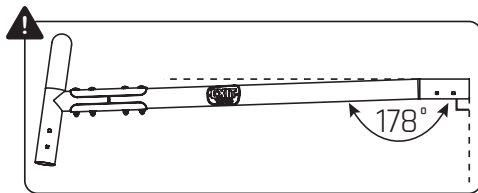
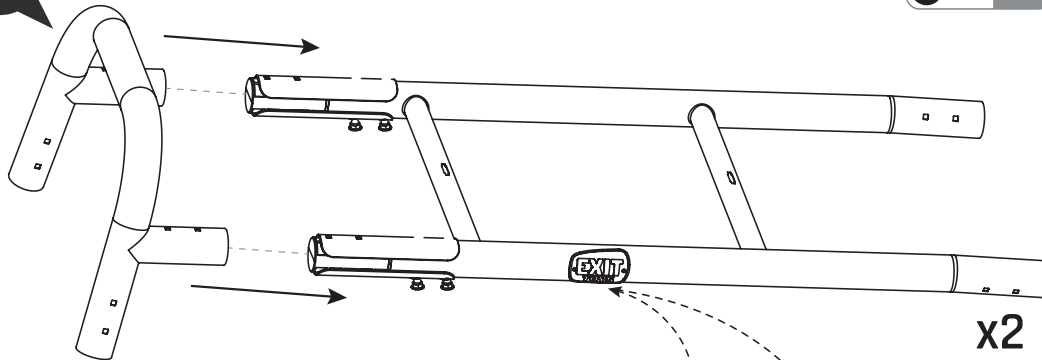
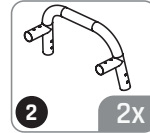
**1**



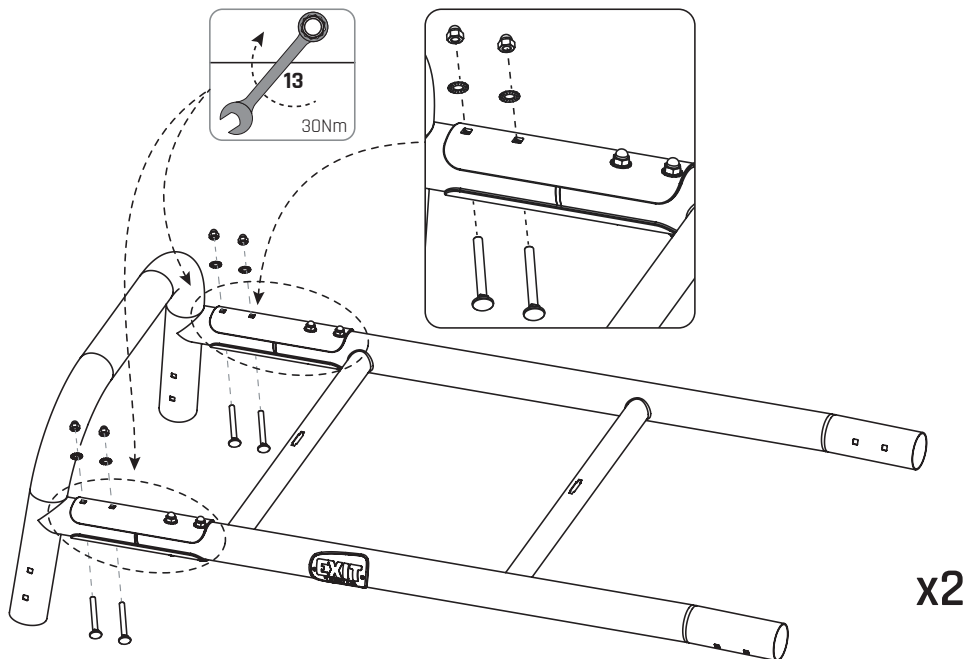
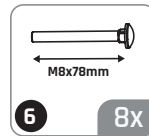
**2**



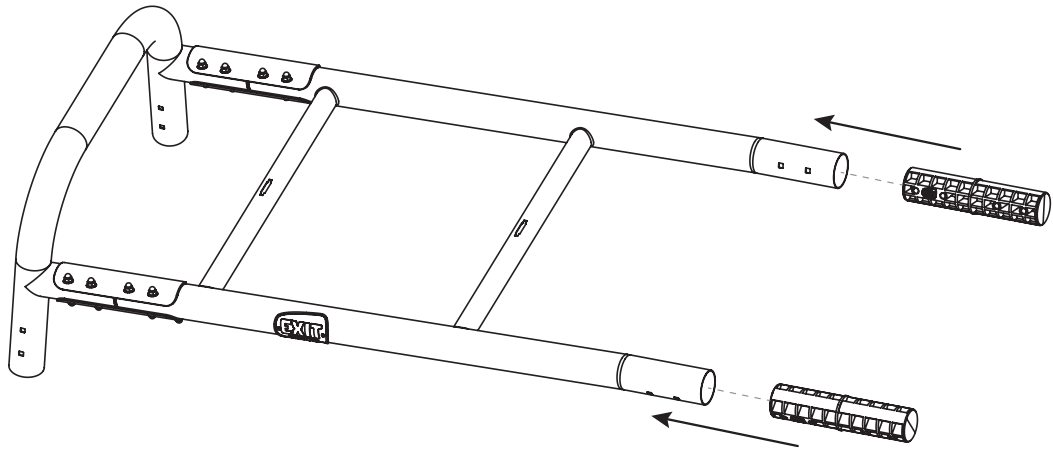
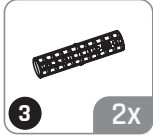
3



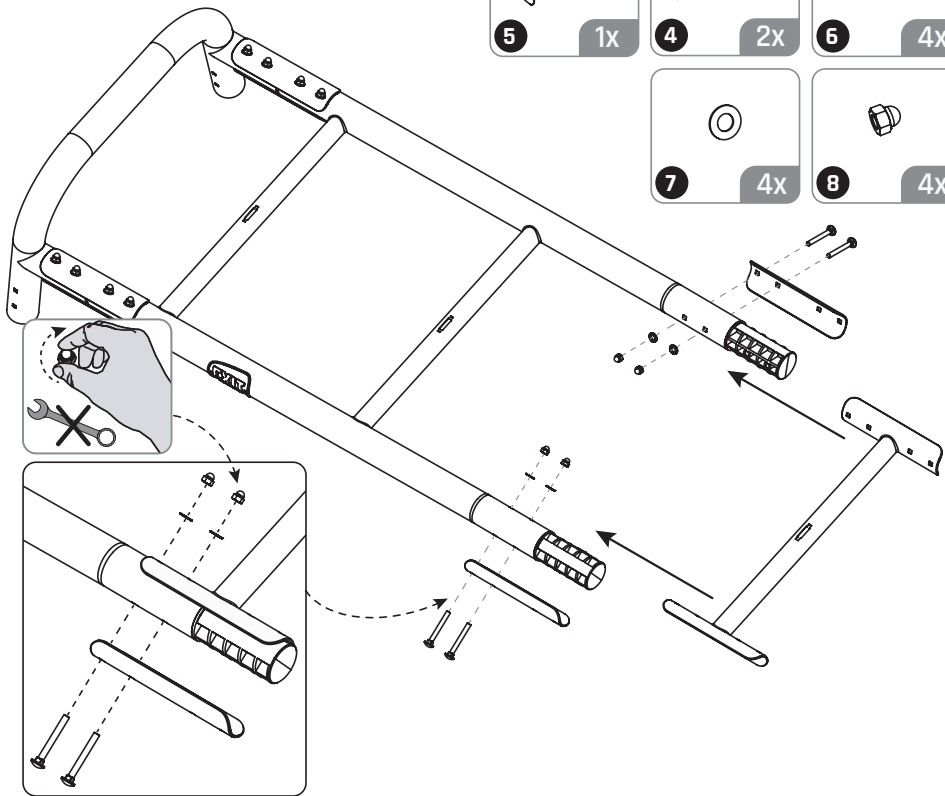
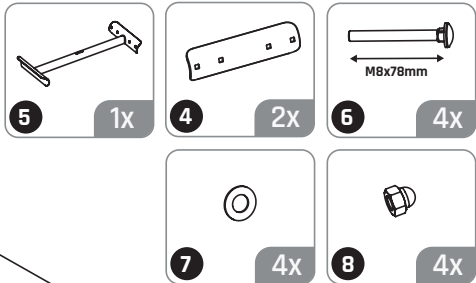
4



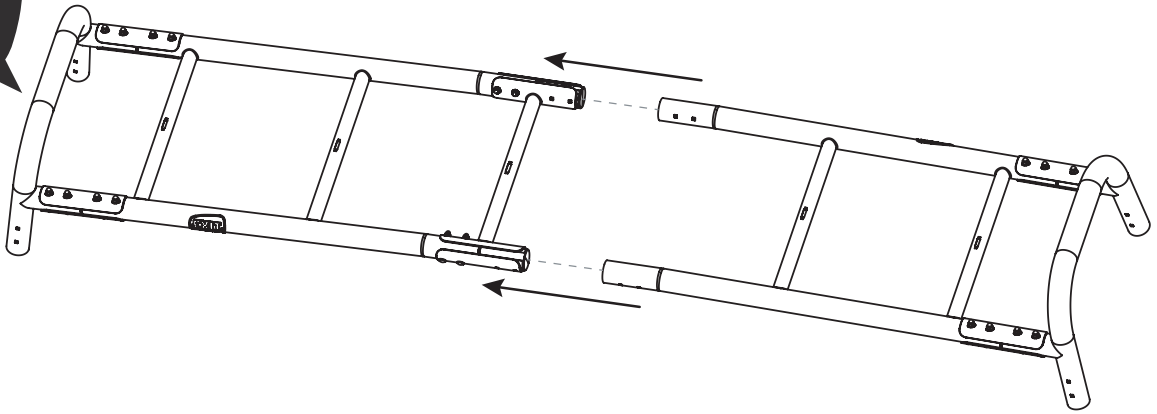
**5**



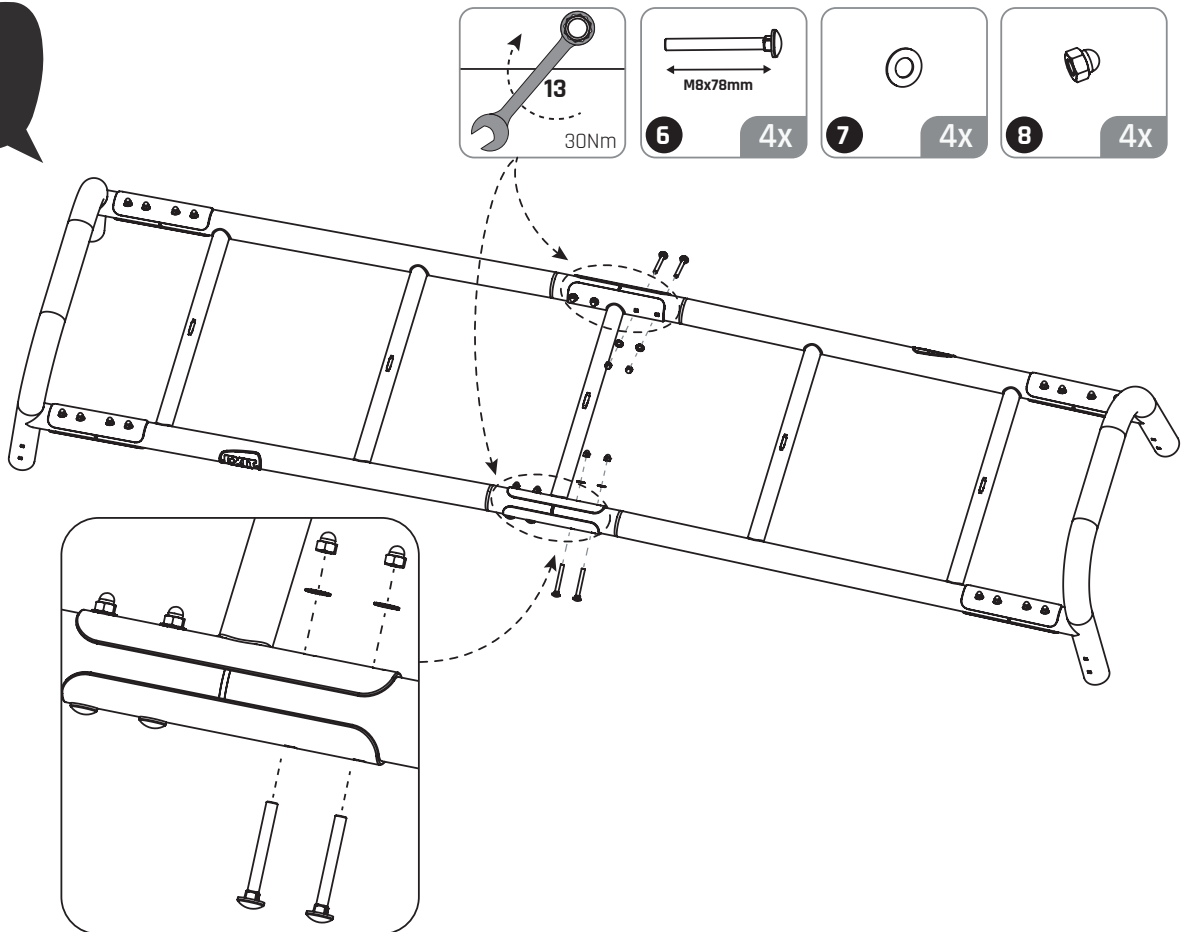
**6**



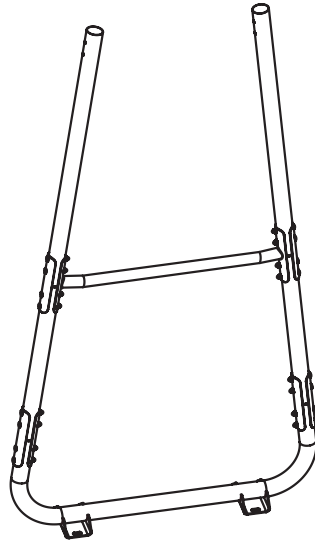
**7**



**8**







1



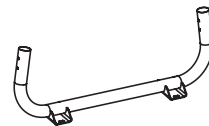
61.80.30.00 4X

2



61.80.30.10 6X

3



61.82.10.30 1X

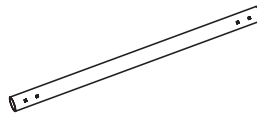
4



645mm

61.82.20.65 2X

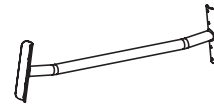
5



1060mm

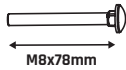
61.82.21.06 2X

9



54.90.17.00 1X

6



M8x78mm

M8x78mm 16X

7



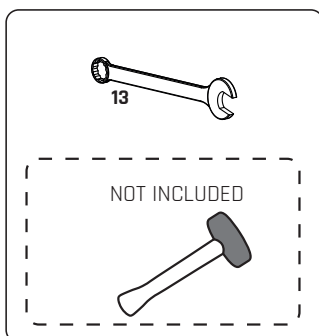
M8 16X

8

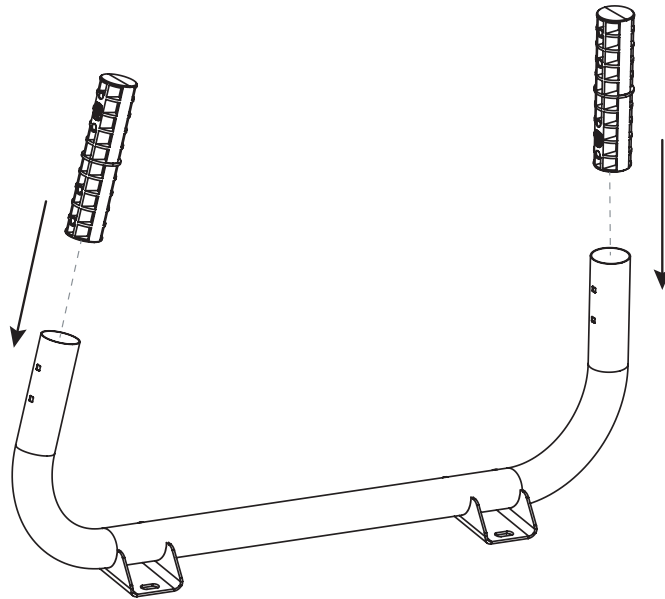
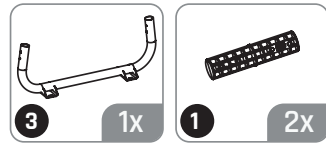


M8 16X

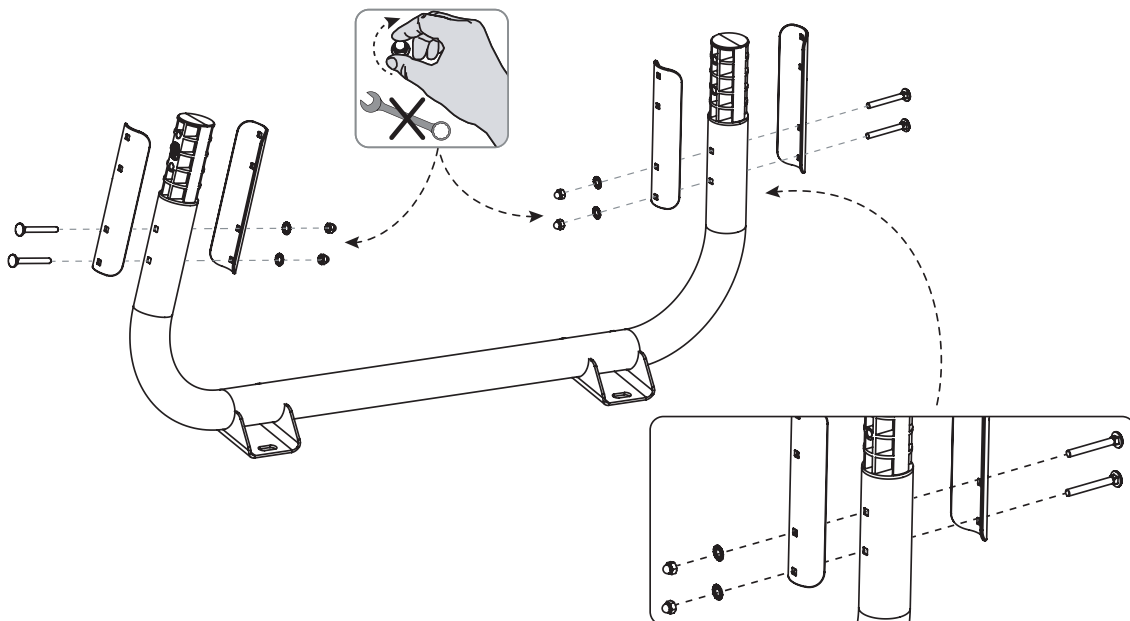
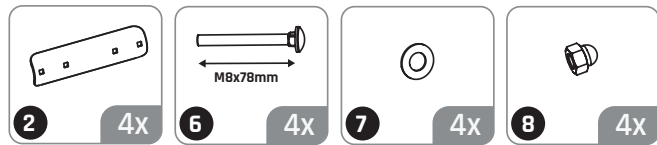
61.82.40.40 1X



**1**

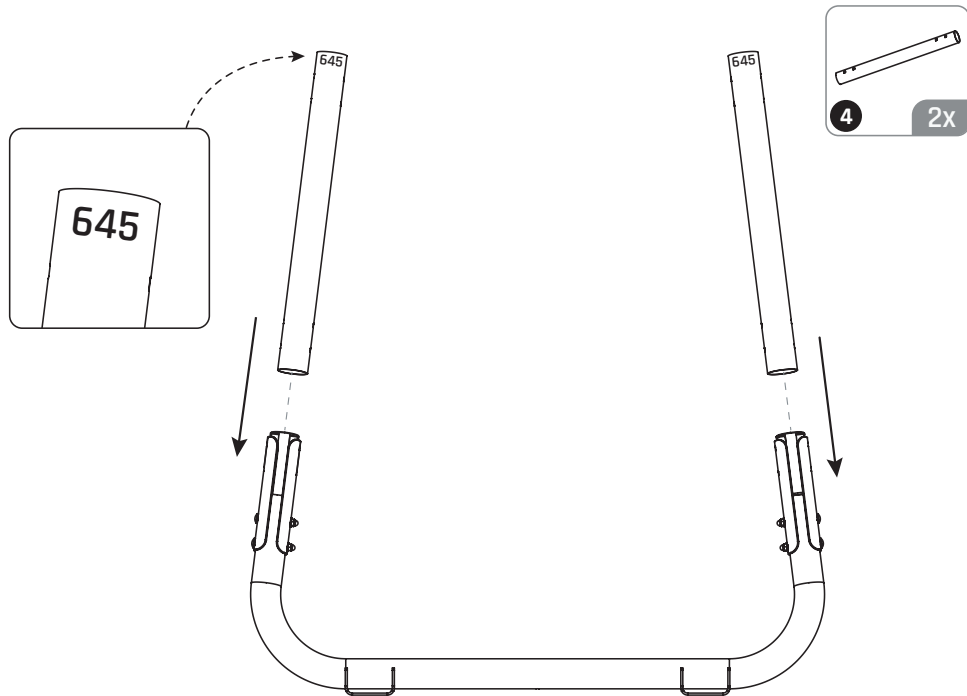


**2**

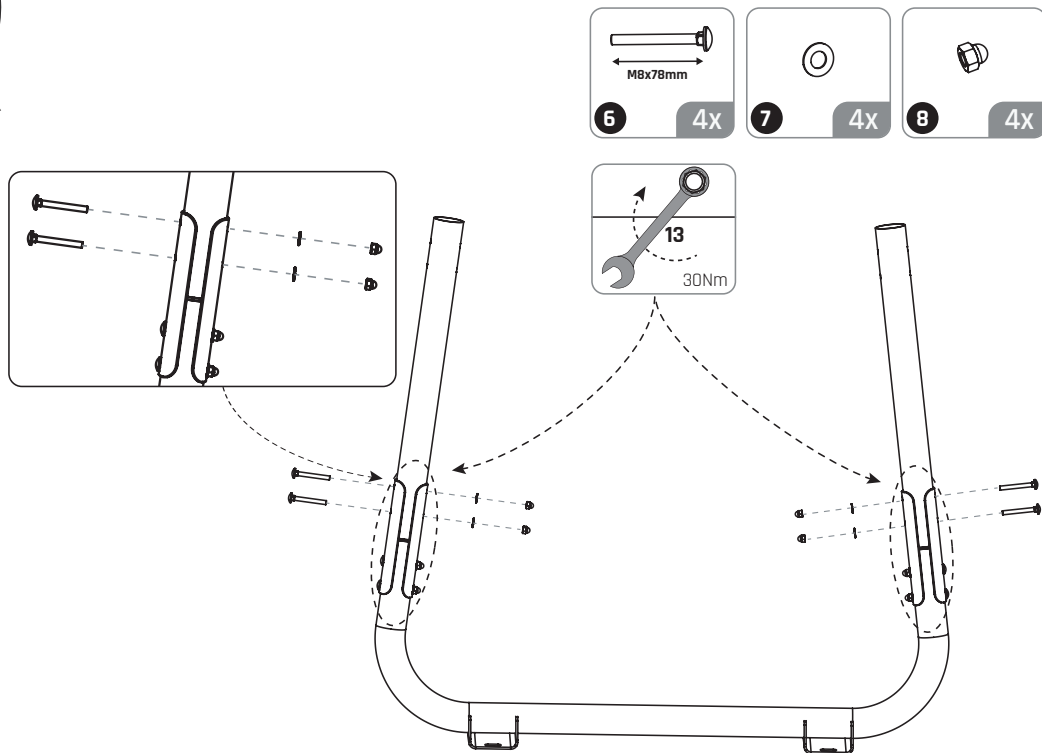




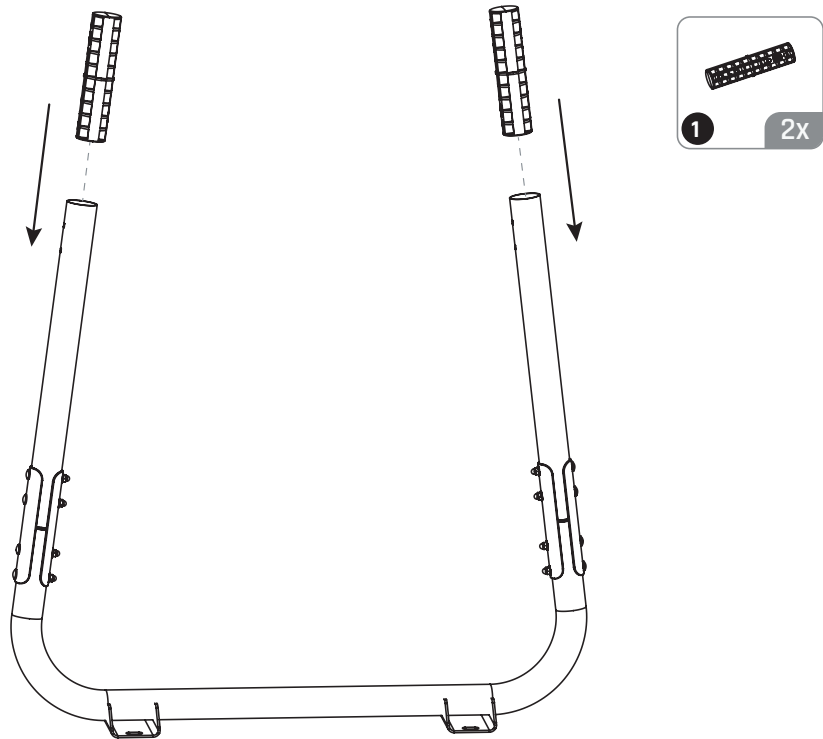
3



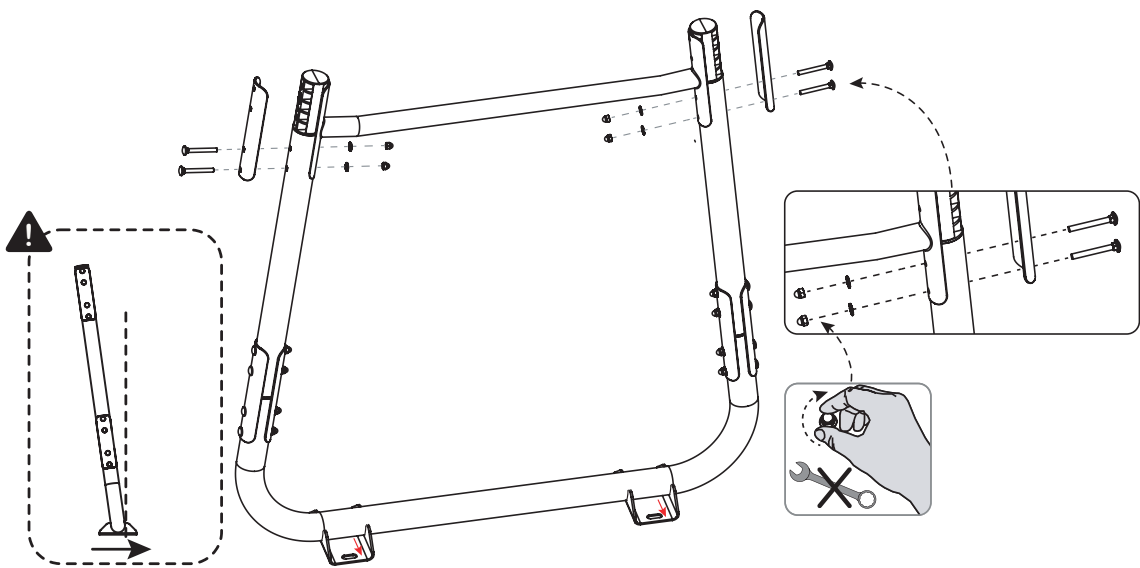
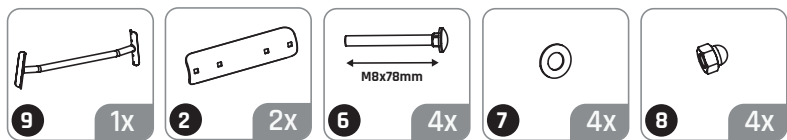
4



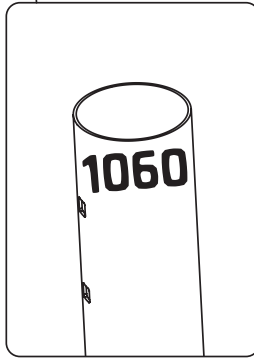
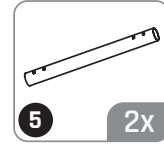
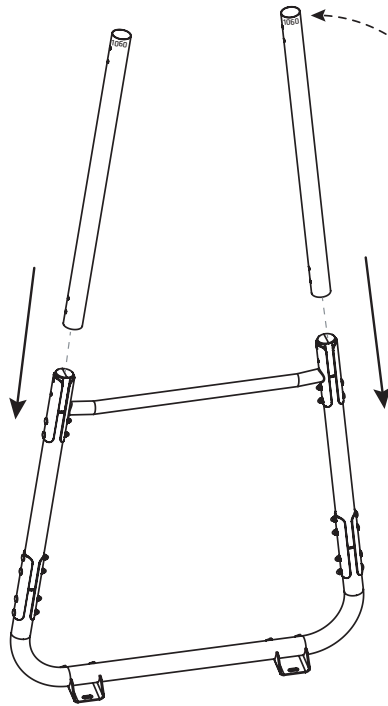
**5**



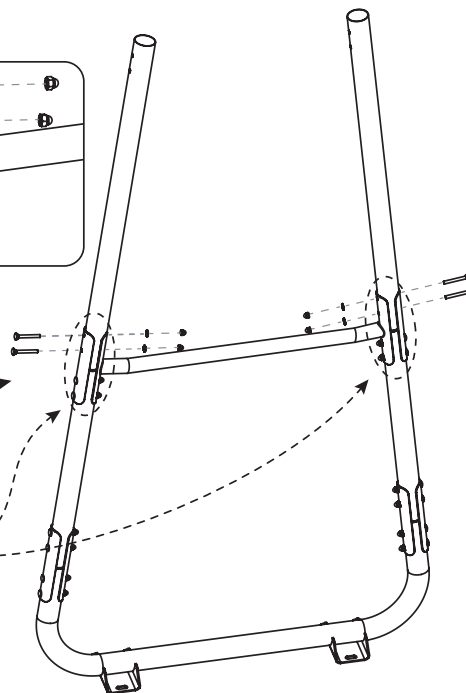
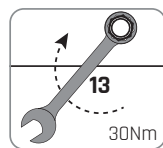
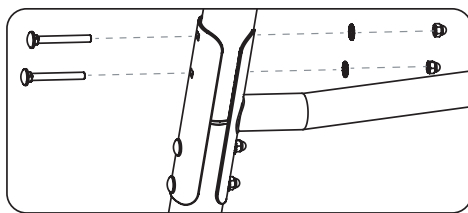
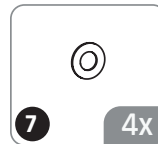
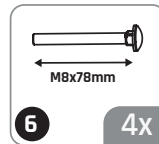
**6**



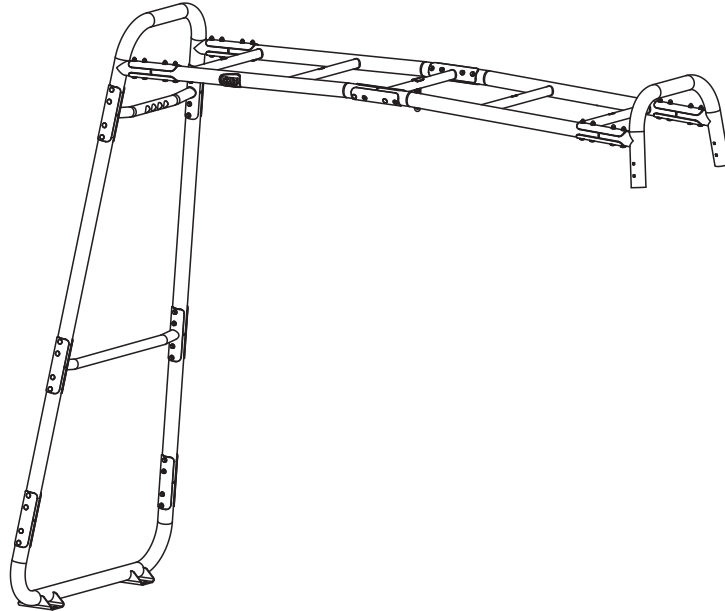
7



8





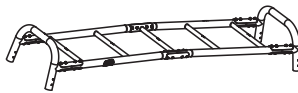


1



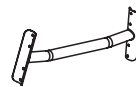
1X

2



1X

3



61.82.10.40 1X

4



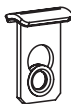
61.80.30.10 2X

5



61.80.30.00 2X

9

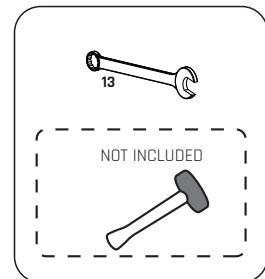


61.80.30.40 1X

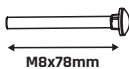
10



61.80.30.50 1X



6



M8x78mm 8X

7



M8 8X

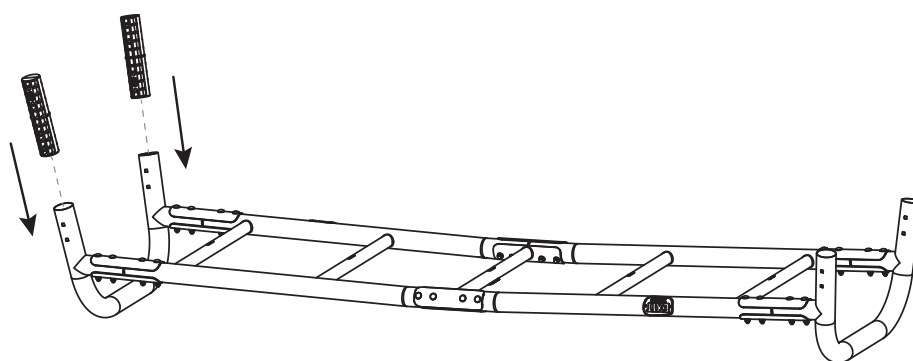
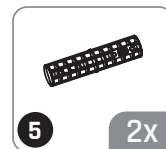
8



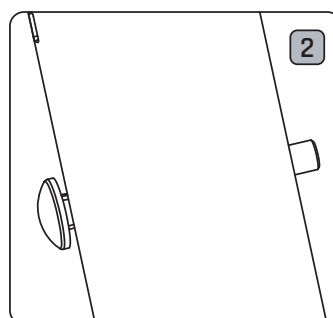
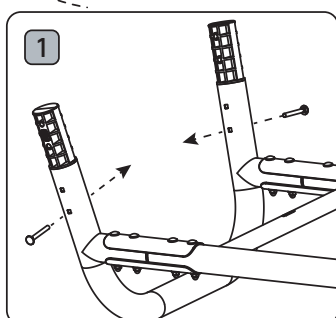
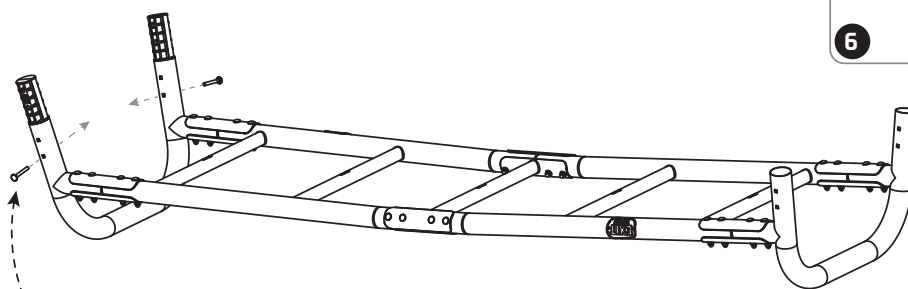
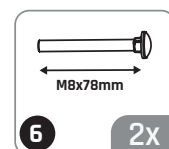
M8 8X

61.82.40.40 1X

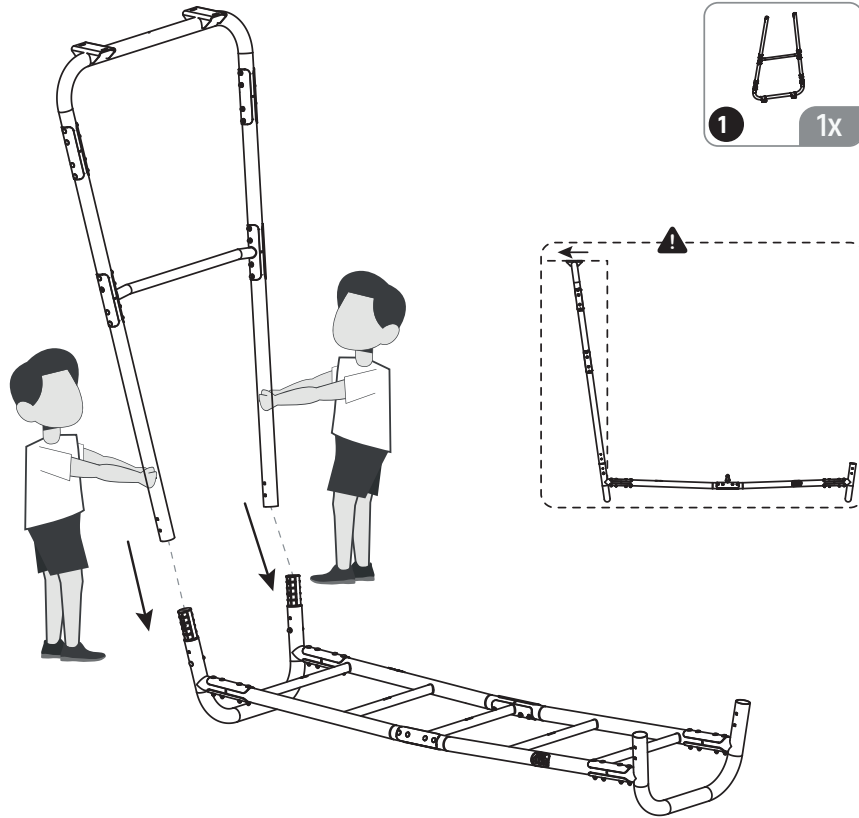
**1**



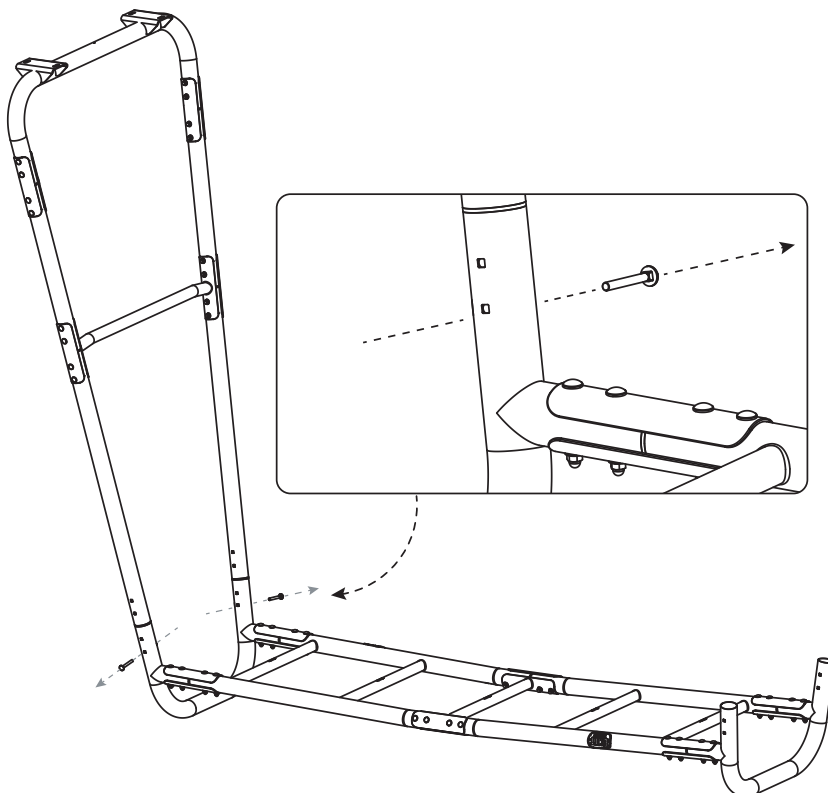
**2**



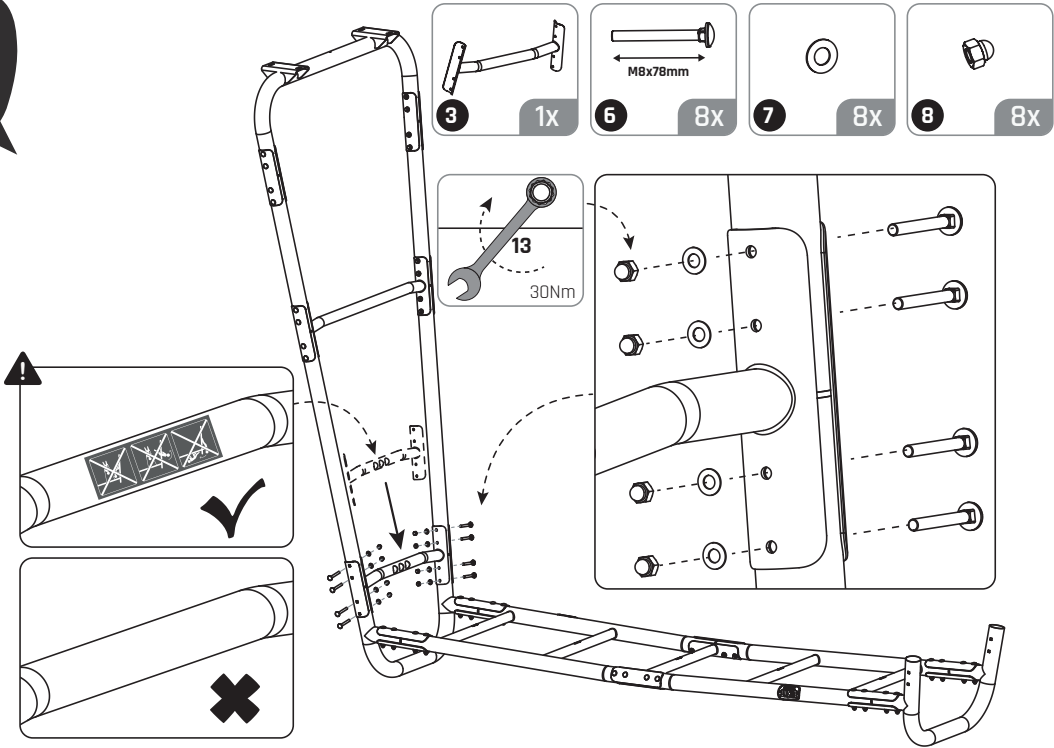
**3**



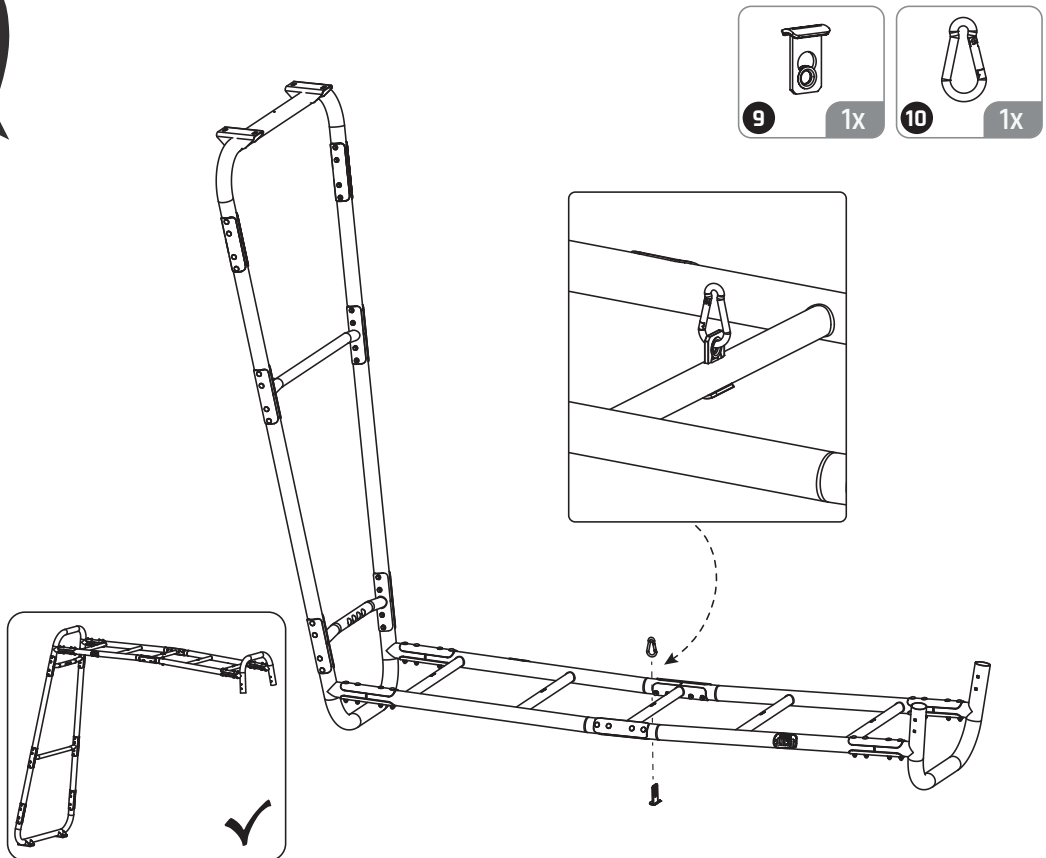
**4**



**5**



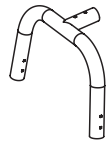
**6**





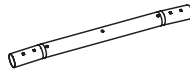


1



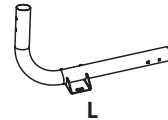
61.86.10.30 2X

2



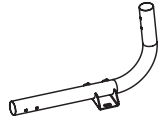
61.86.10.40 1X

3



61.86.10.10 1X

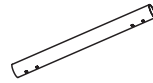
4



R

61.86.10.20 1X

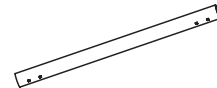
5



645mm

61.86.20.65 2X

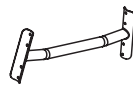
6



892mm

61.86.20.89 4X

7



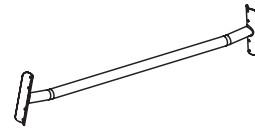
61.82.10.40 1X

8



54.90.16.00 2X

9



54.90.11.00 1X

11



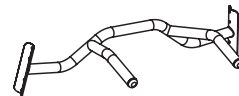
61.80.30.10 16X

12



61.80.30.00 11X

10

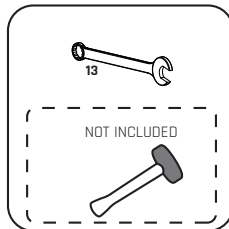


54.90.10.00 1X

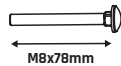
13



61.80.30.55 2X



14



M8x78mm

M8x78mm 44X

15



M8 44X

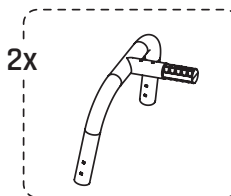
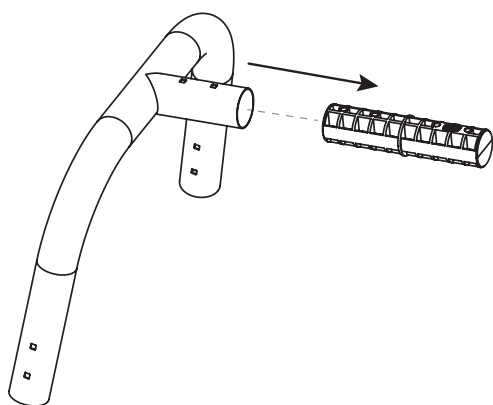
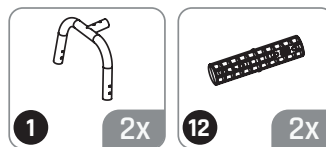
16



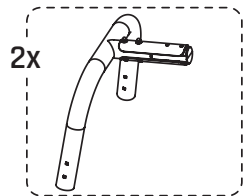
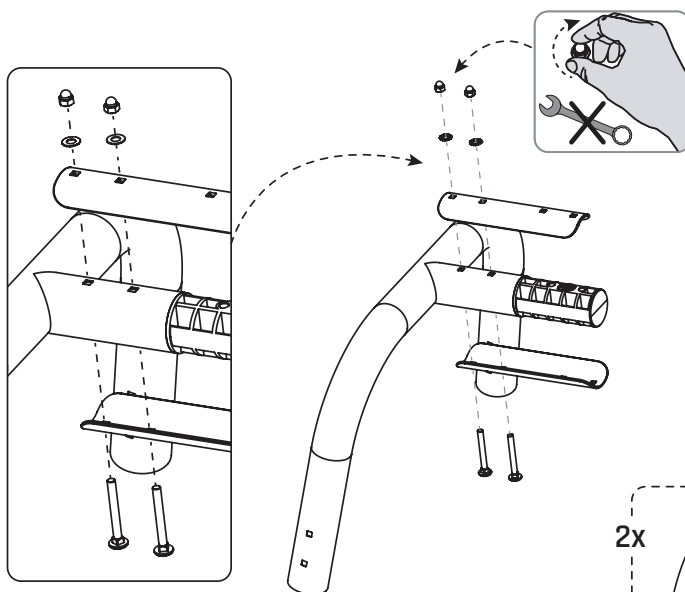
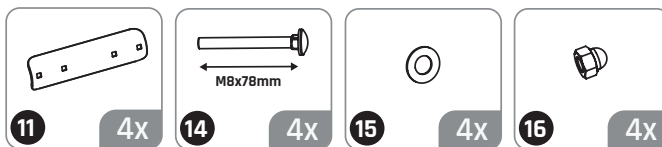
M8 44X

61.86.40.10 1X

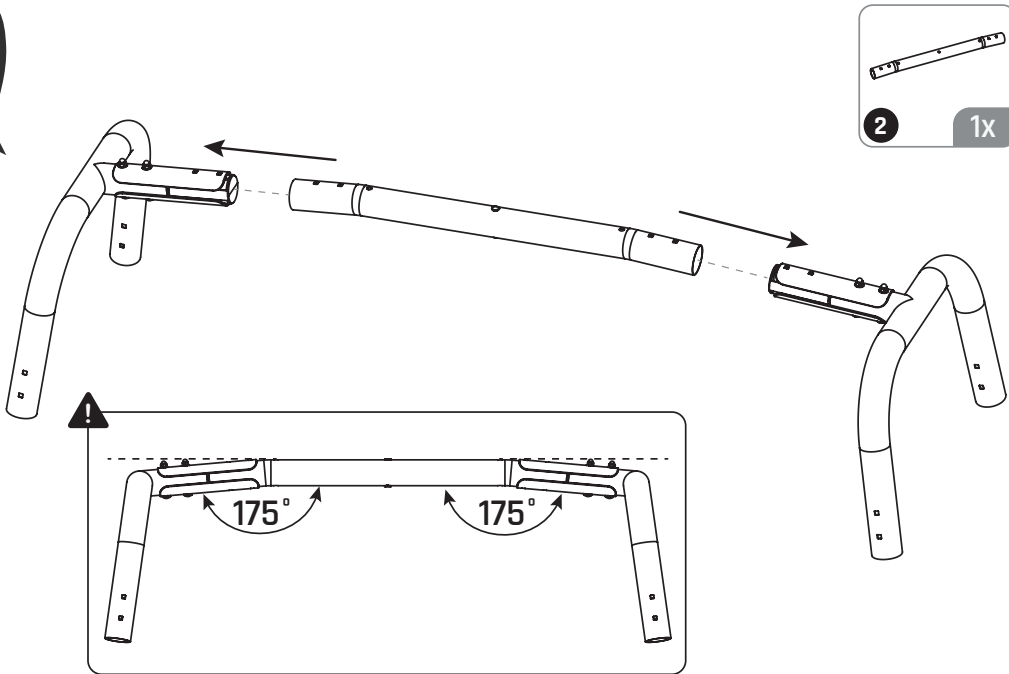
**1**



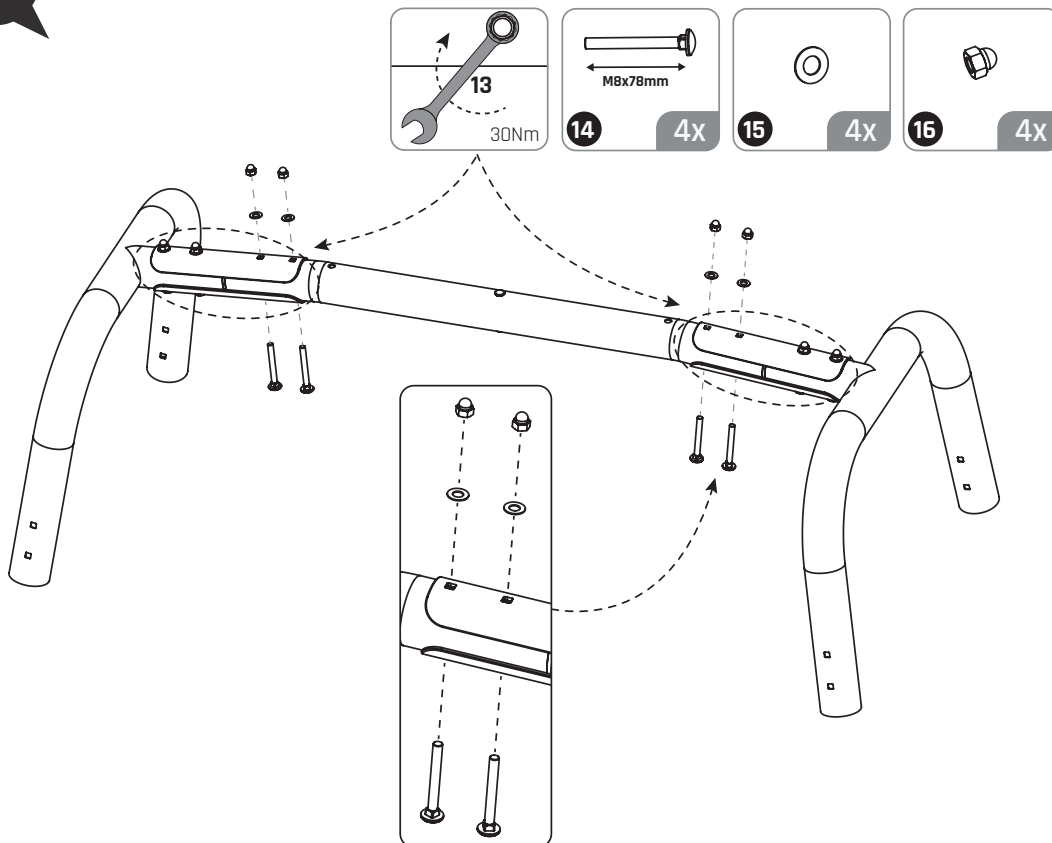
**2**



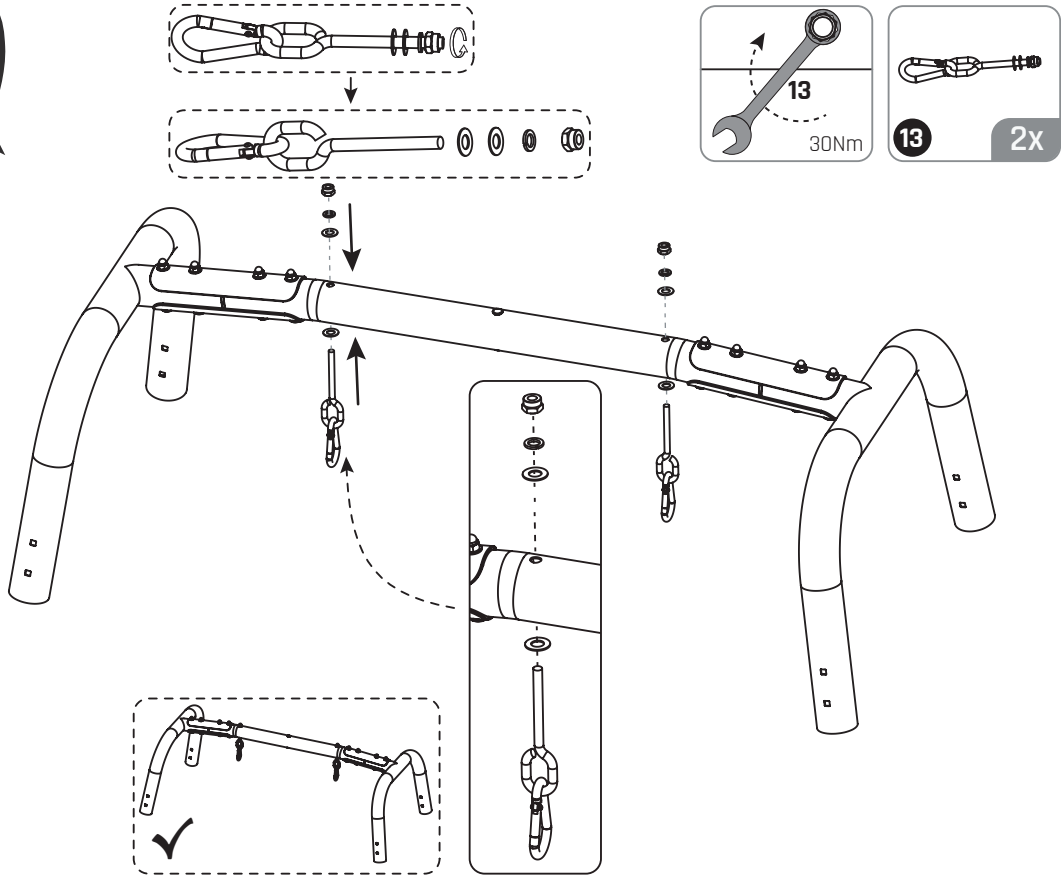
3



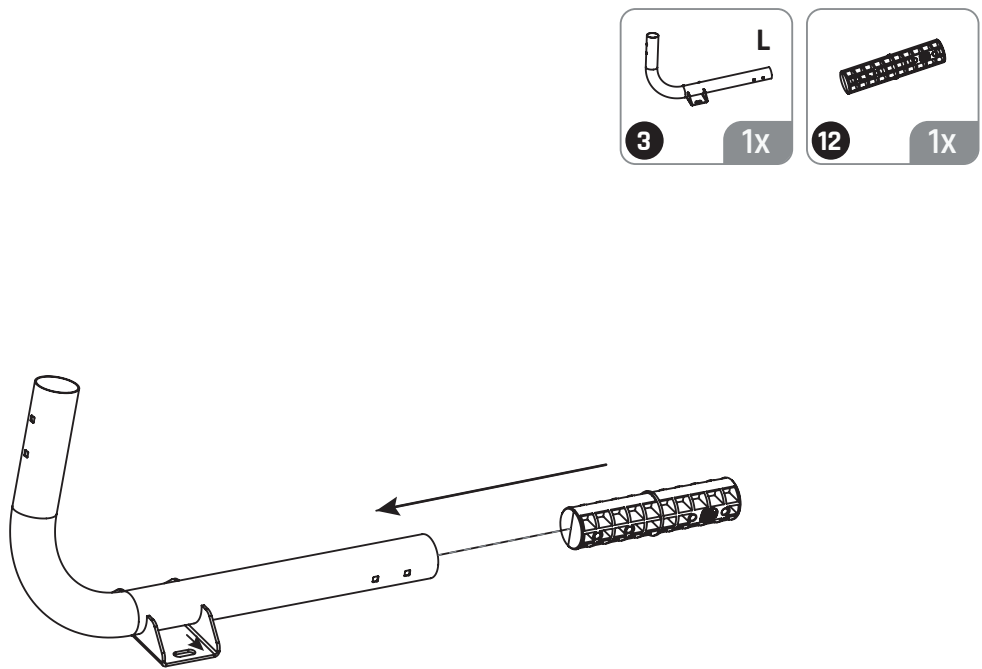
4



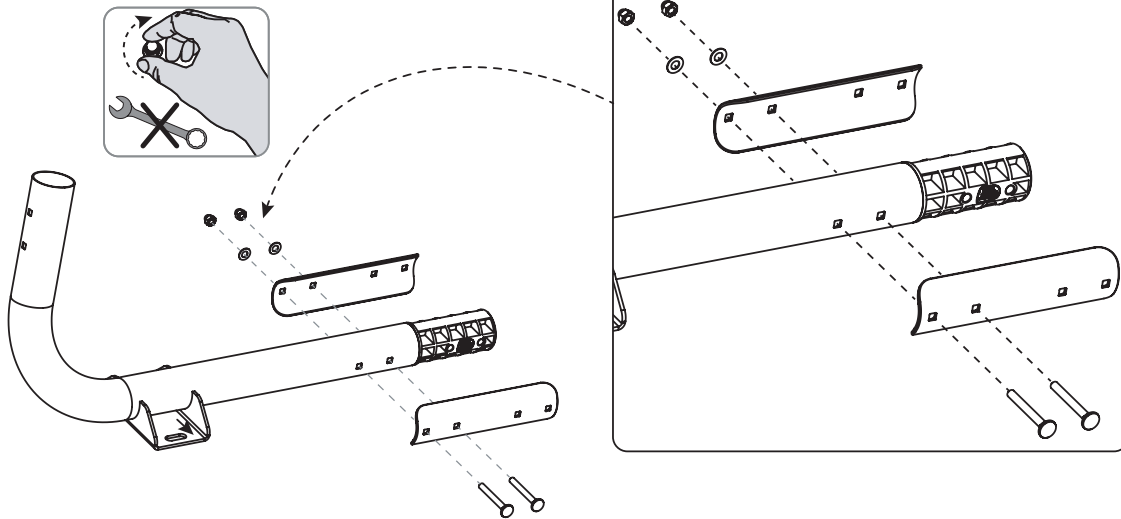
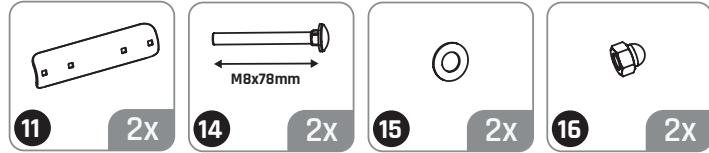
**5**



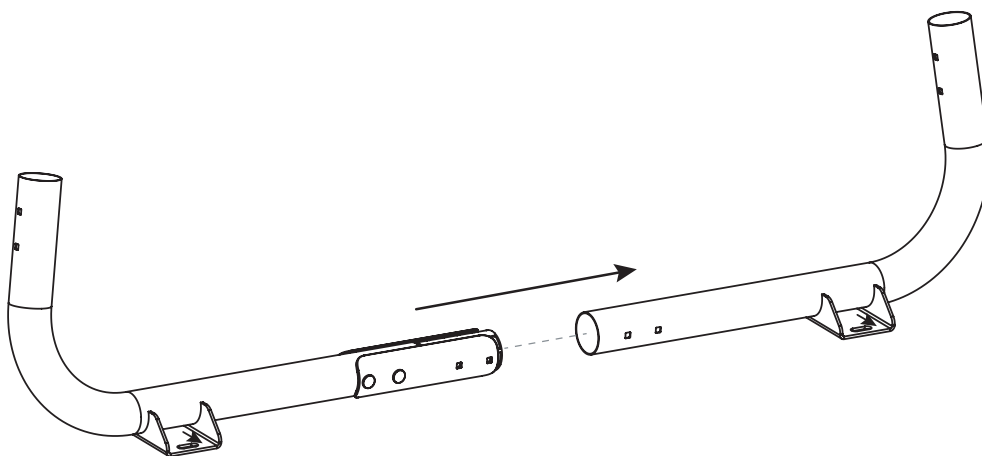
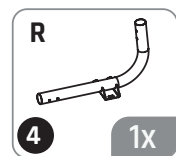
**6**



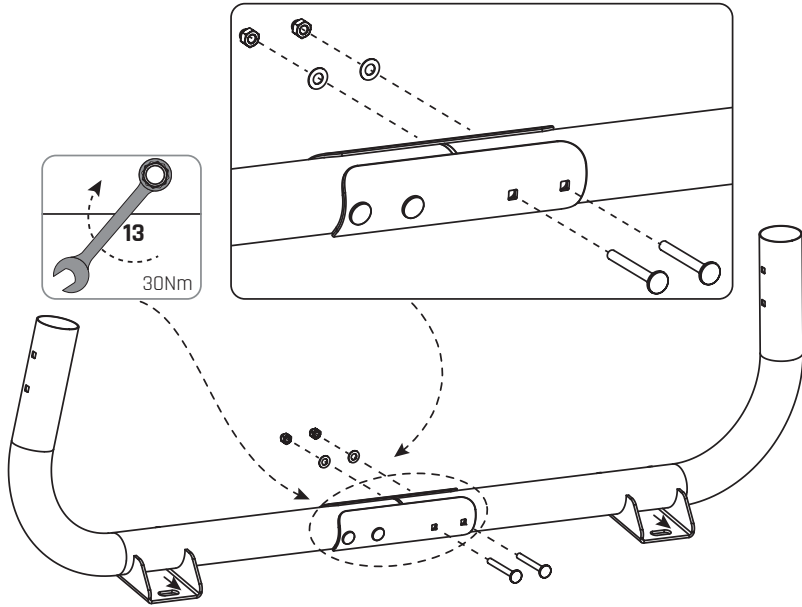
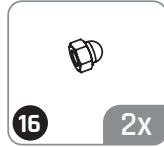
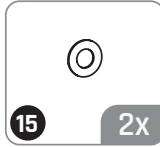
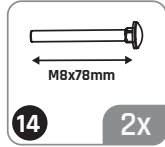
7



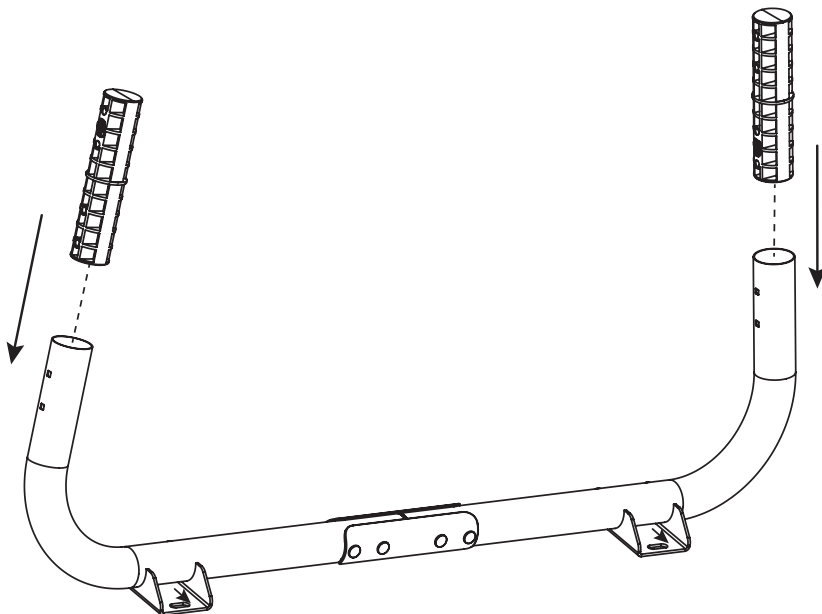
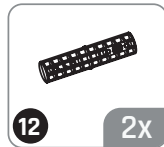
8



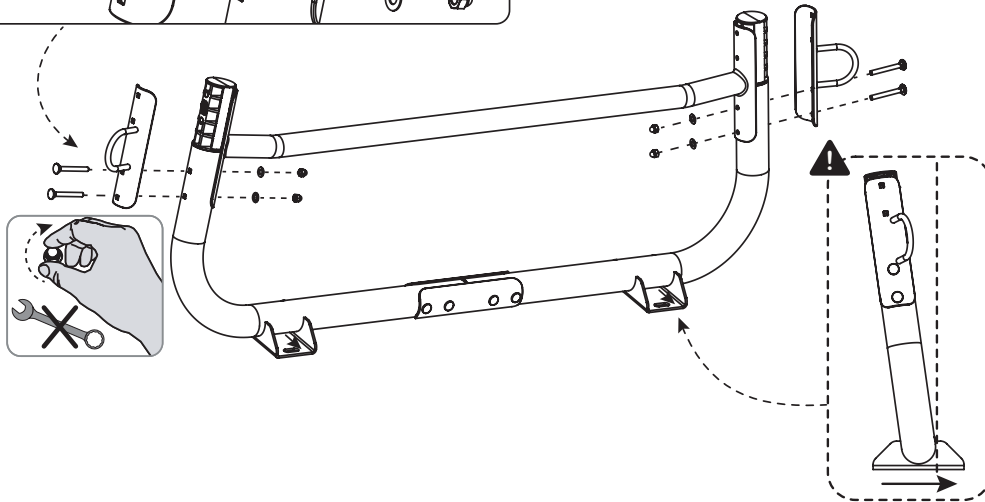
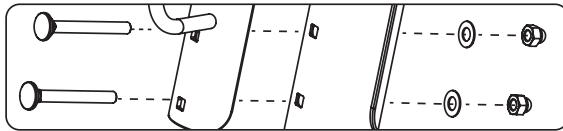
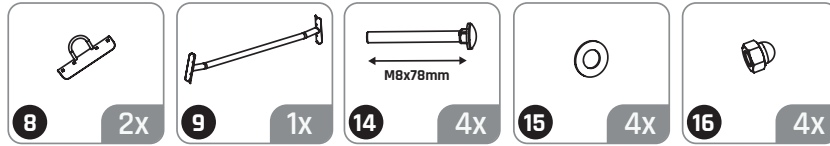
**9**



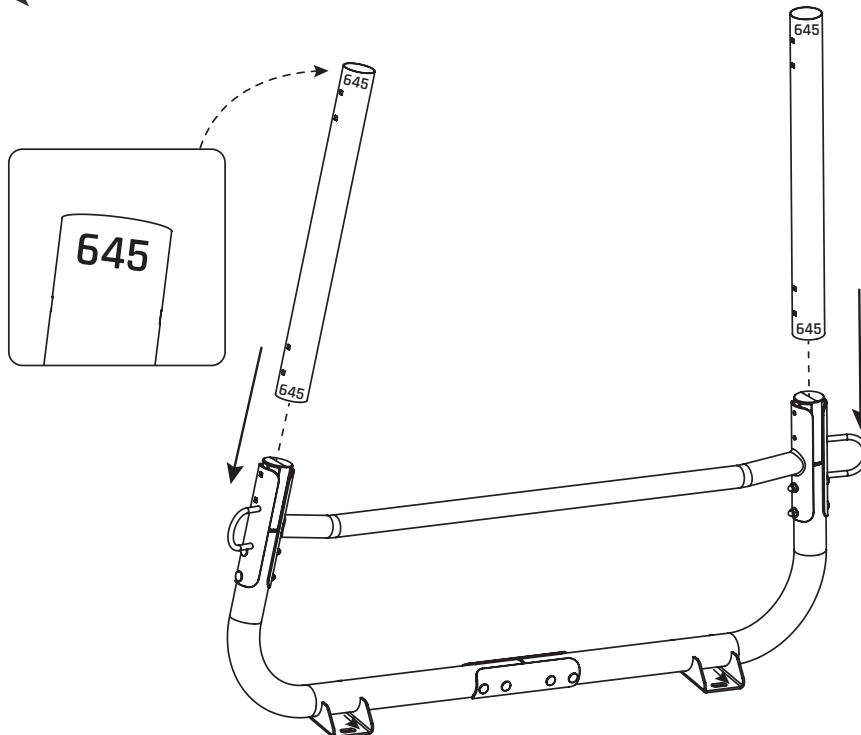
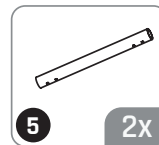
**10**



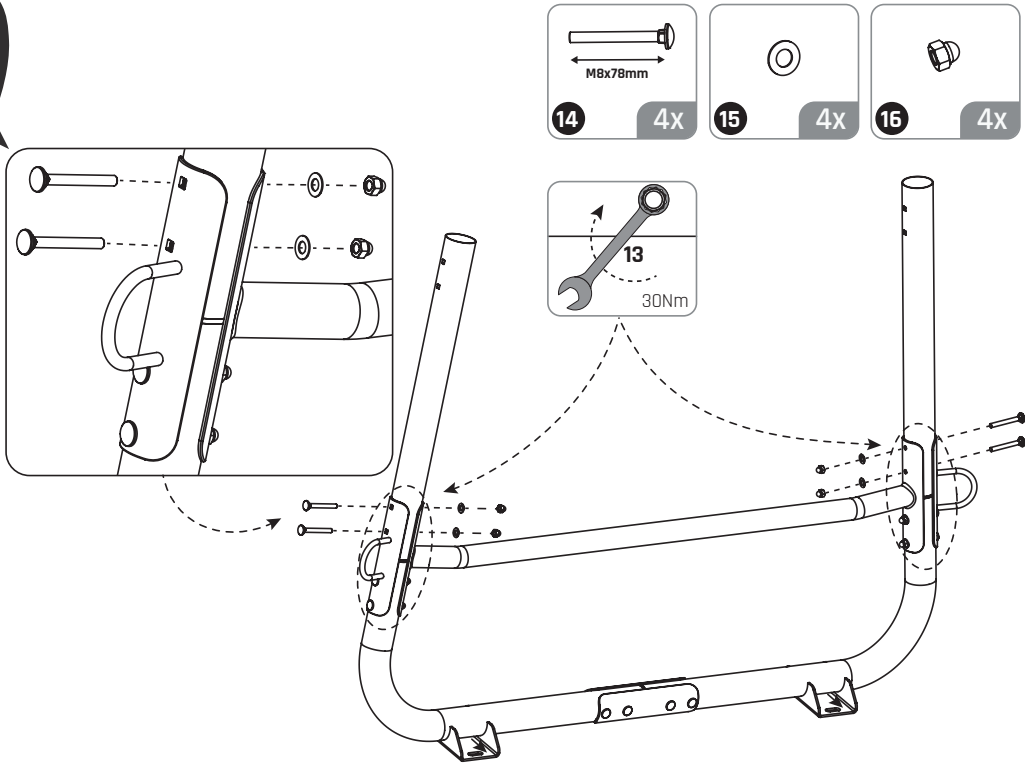
11



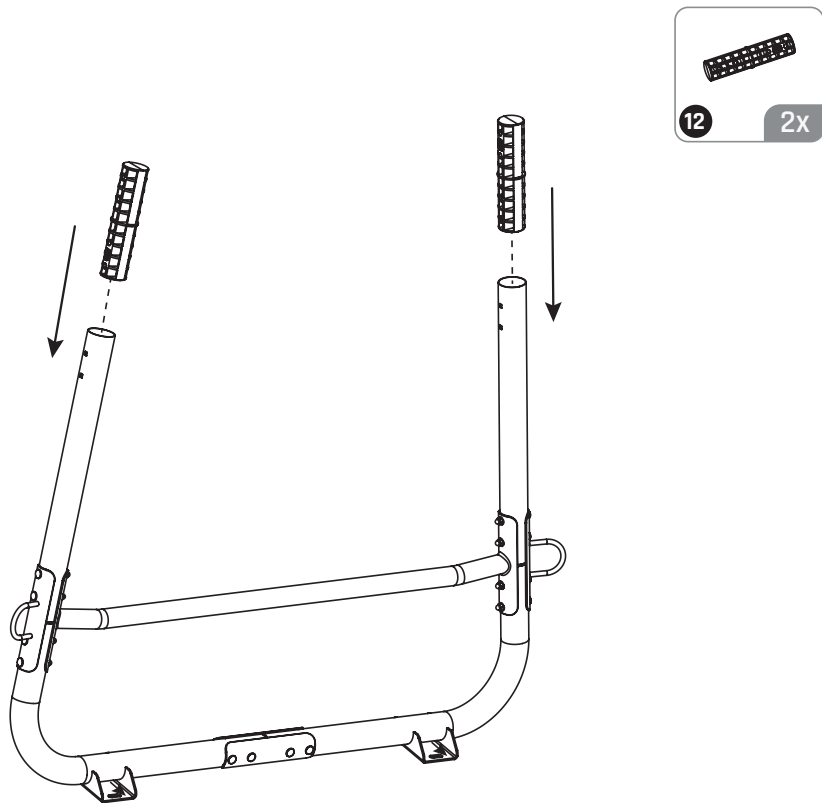
12



**13**



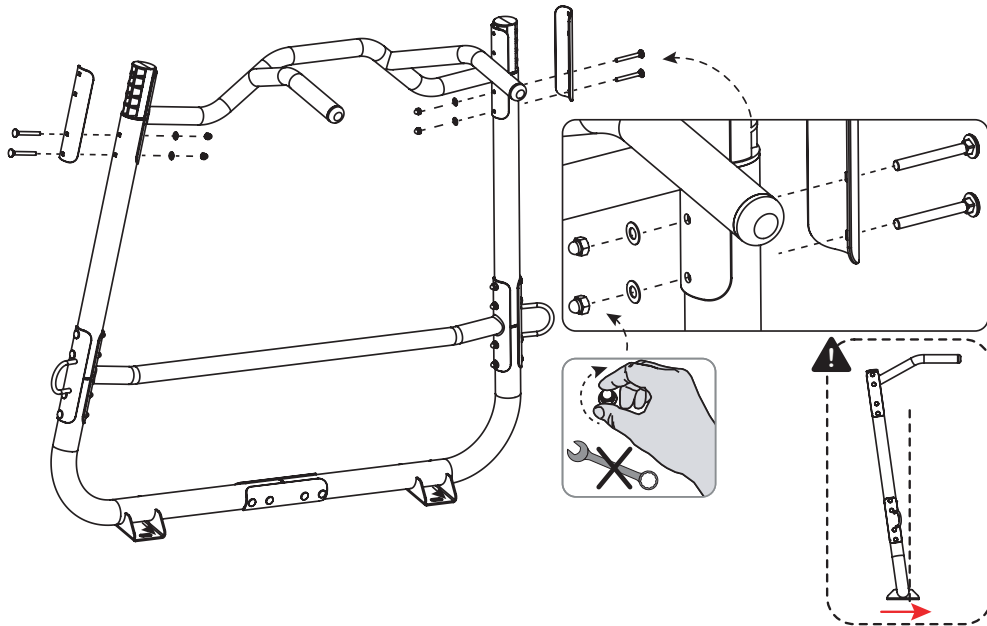
**14**



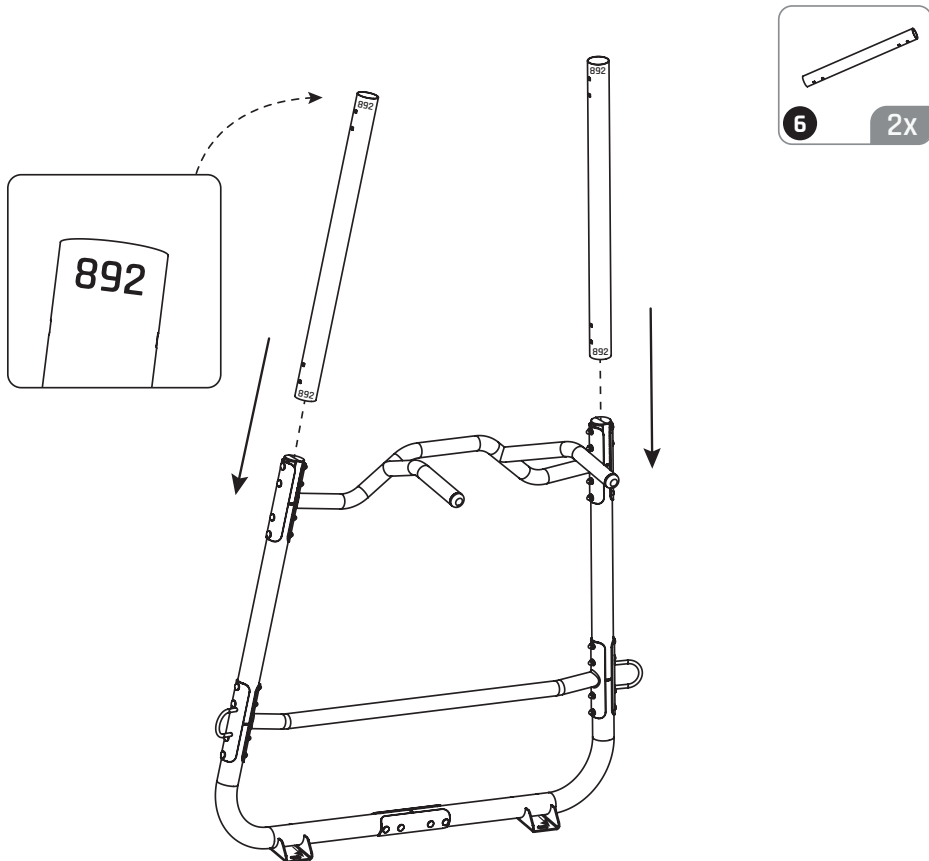


15

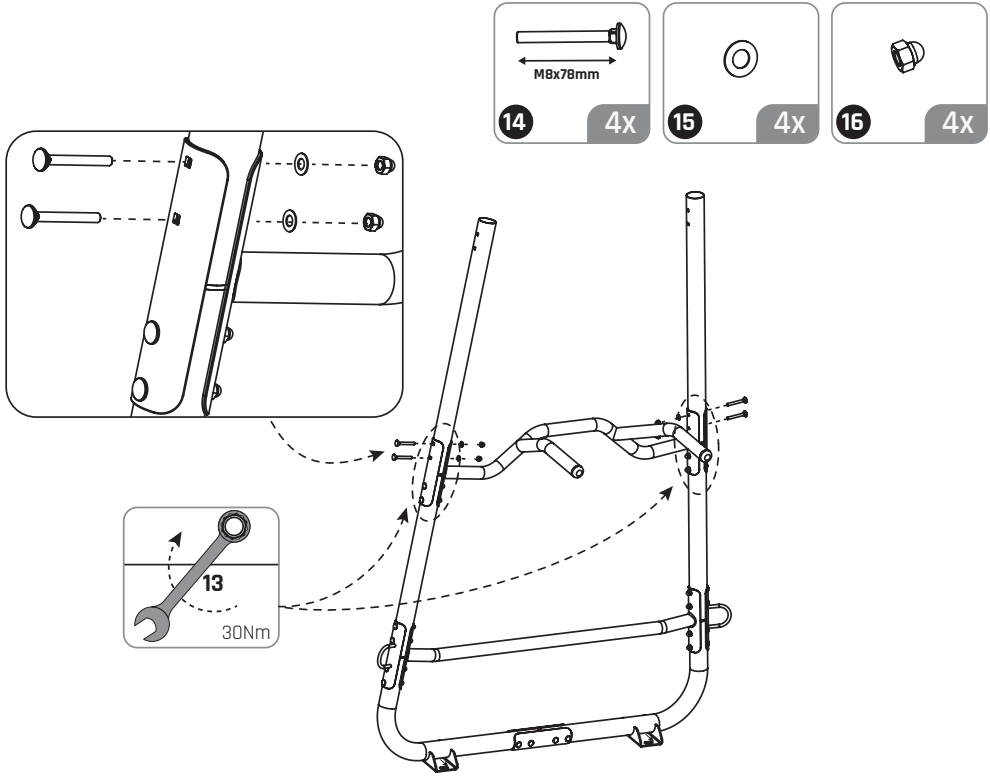
- 10 1x
- 11 2x
- 14 M8x78mm 4x
- 15 4x
- 16 4x



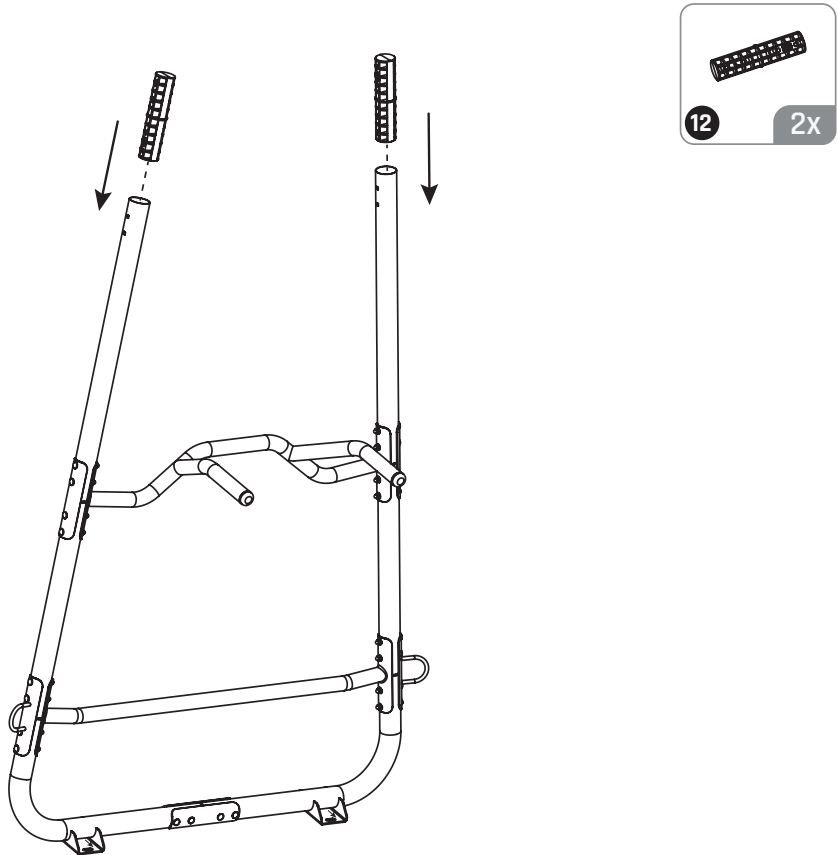
16



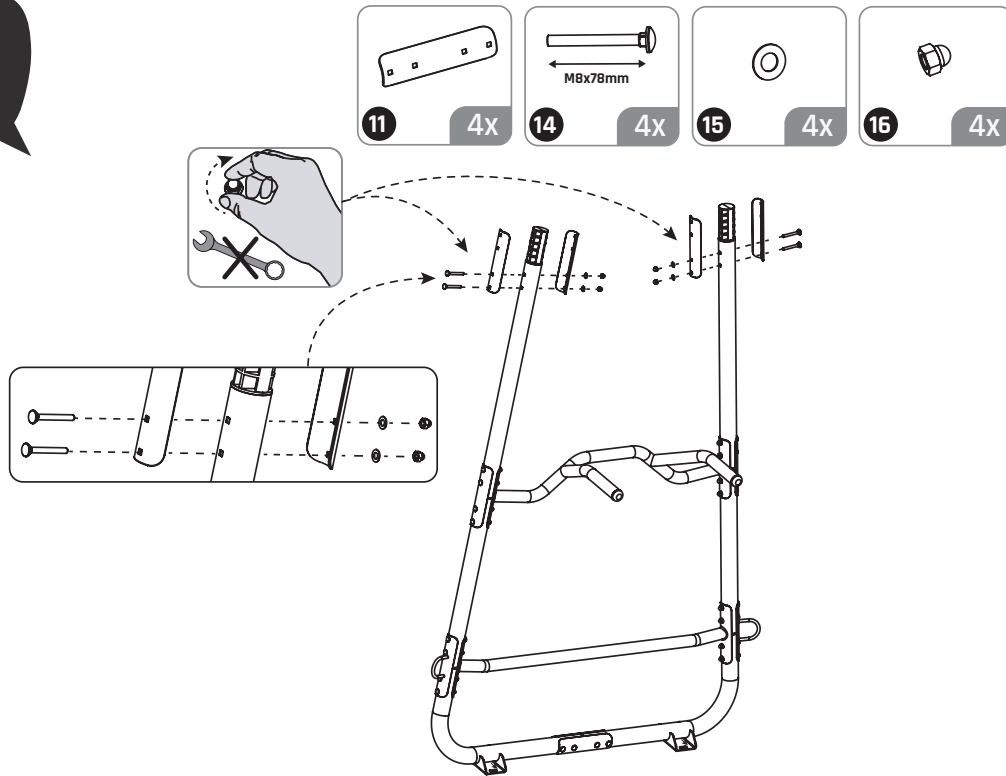
**17**



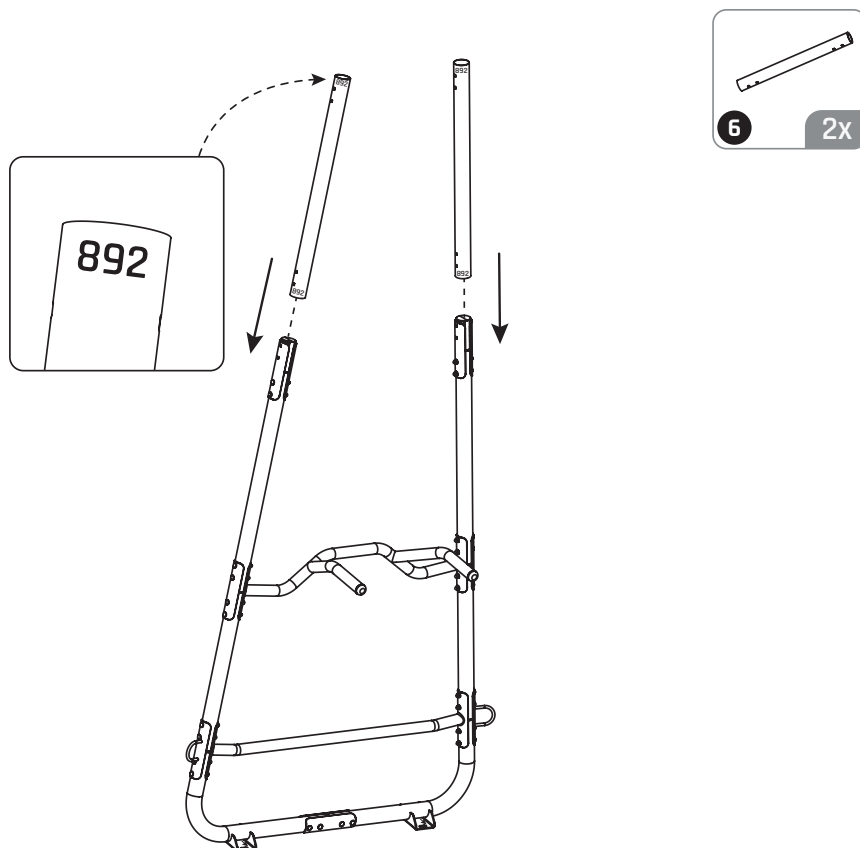
**18**



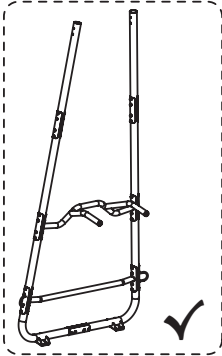
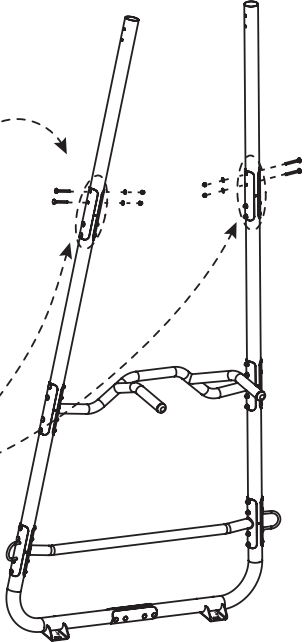
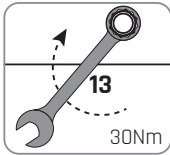
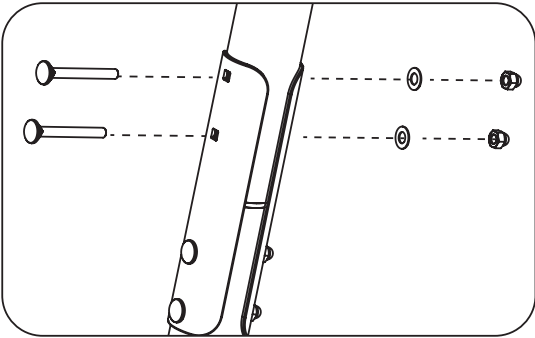
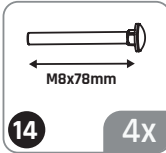
**19**



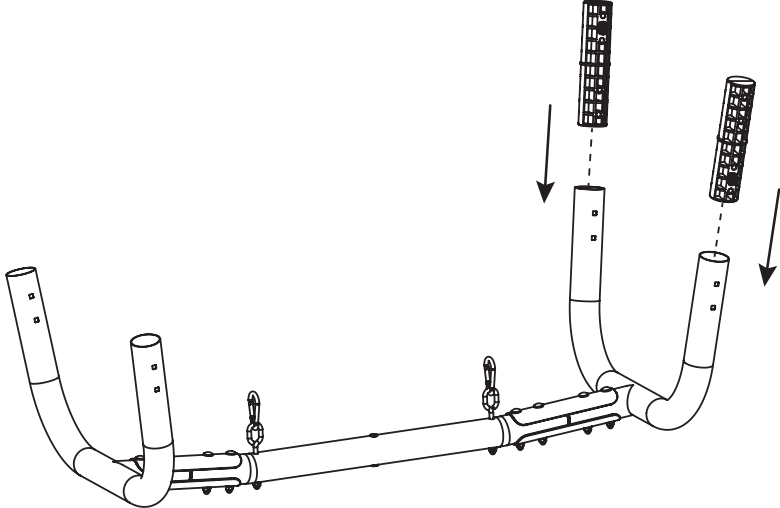
**20**



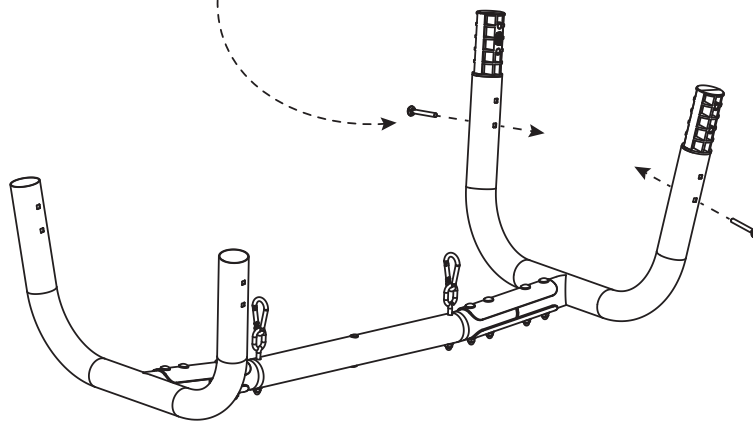
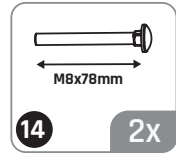
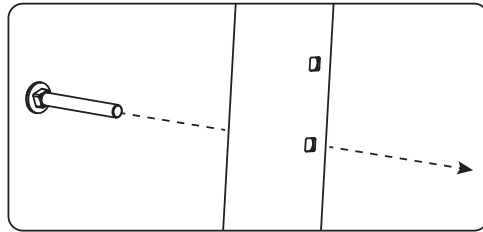
**21**



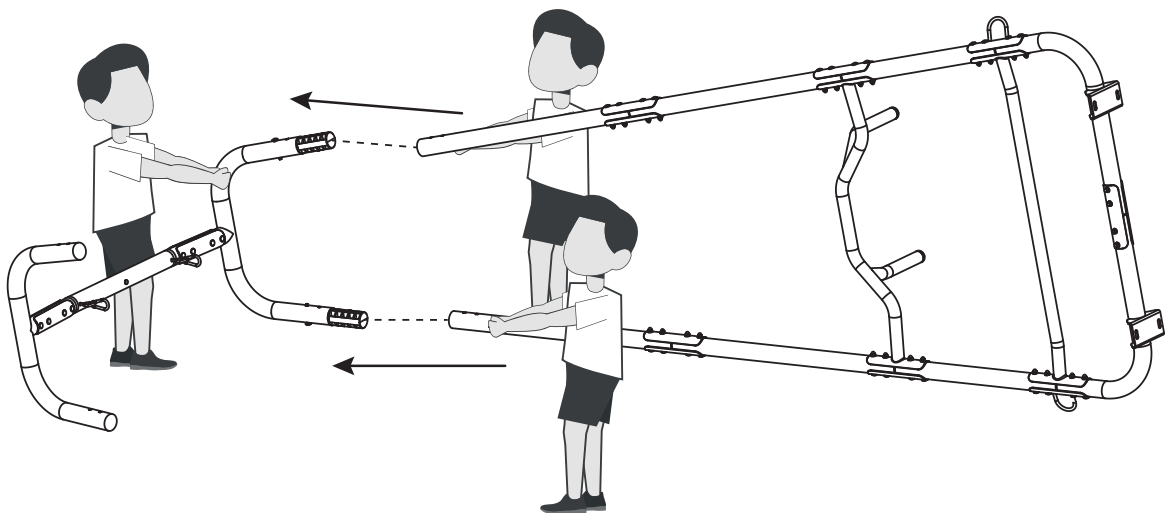
**22**



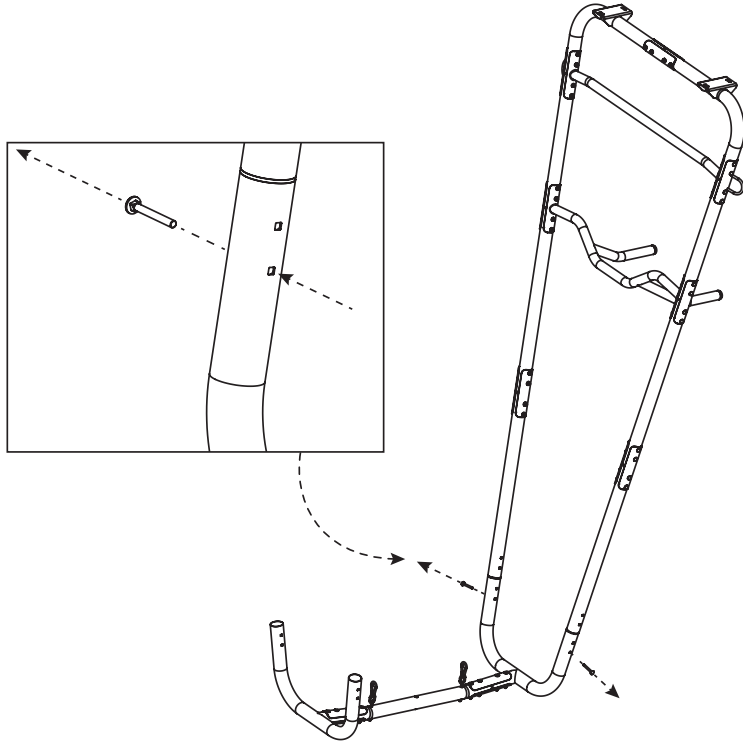
23



24

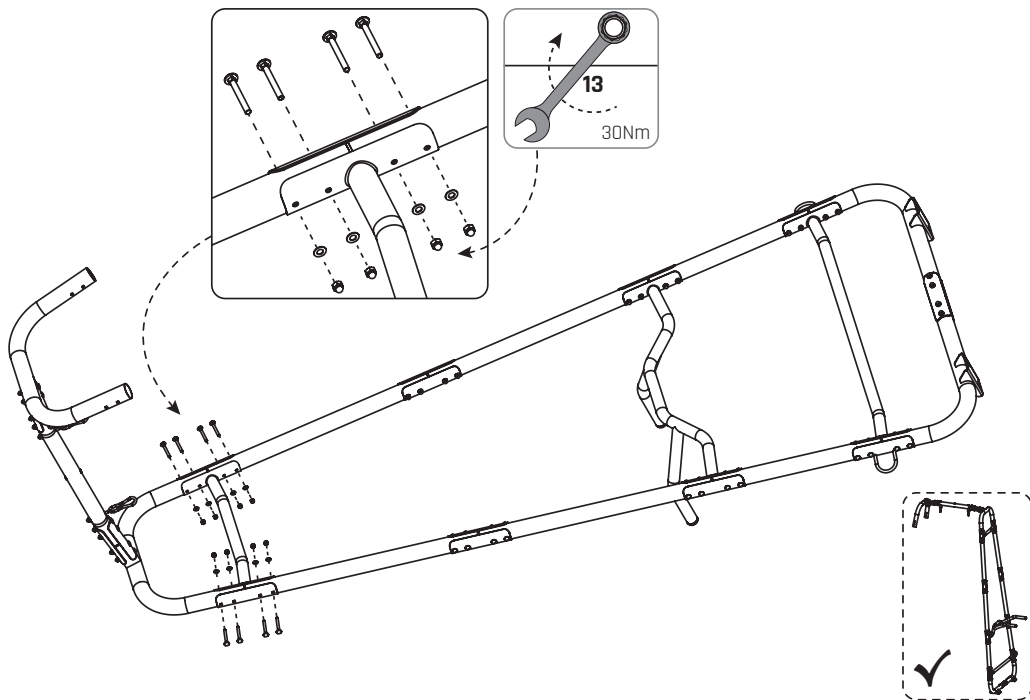


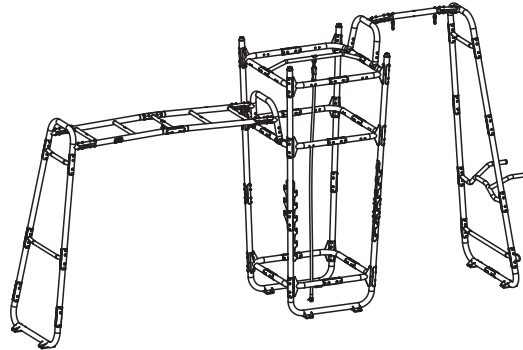
**25**



**26**

- 7** 1x
- 11** 2x
- 14** M8x78mm 8x
- 15** 8x
- 16** 8x



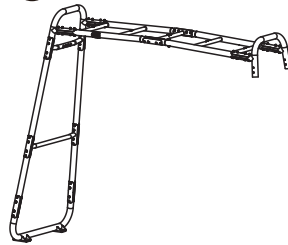


1



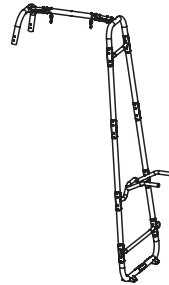
1X

2



1X

3



1X

4



61.85.10.60 4X

5



M8x78mm 8X

6



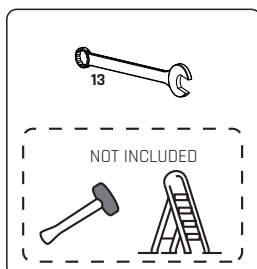
M8 8X

7

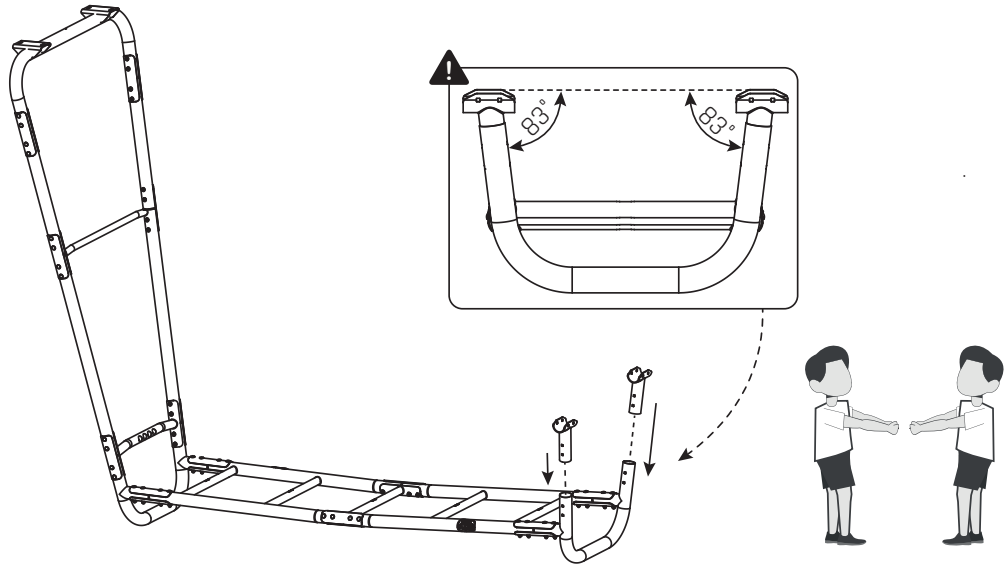
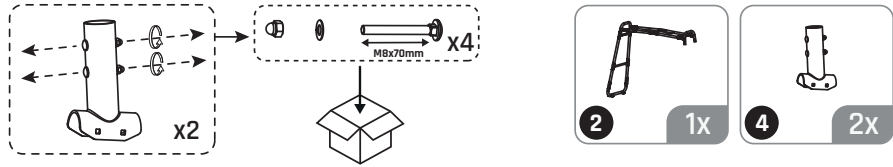


M8 8X

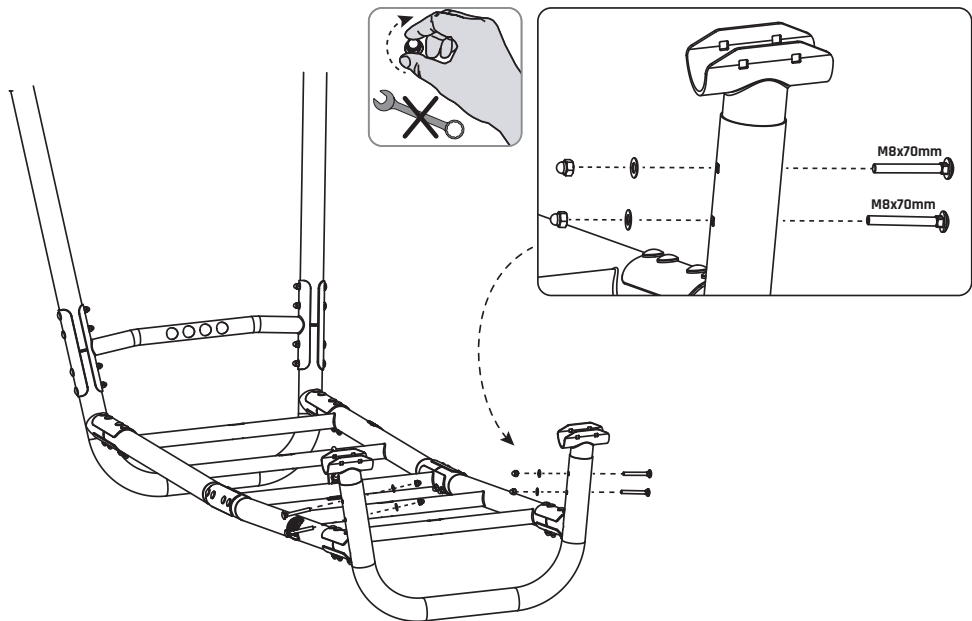
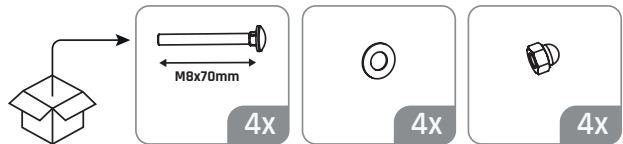
61.85.40.50 1X  
61.85.40.10 1X



## 1

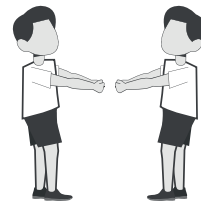
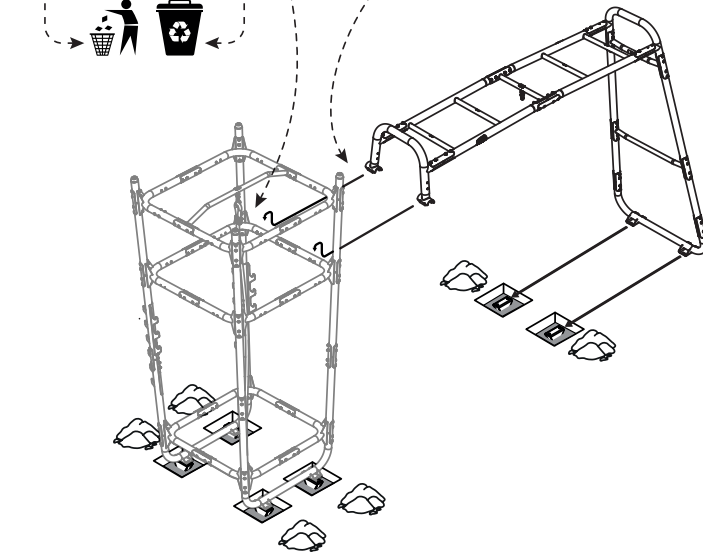
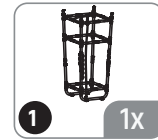
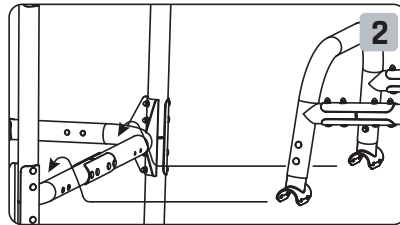
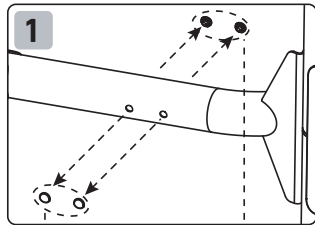


## 2

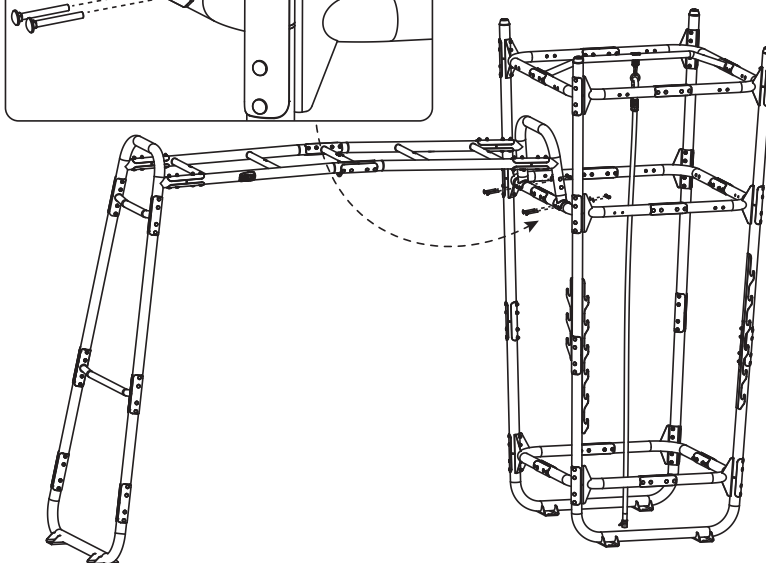
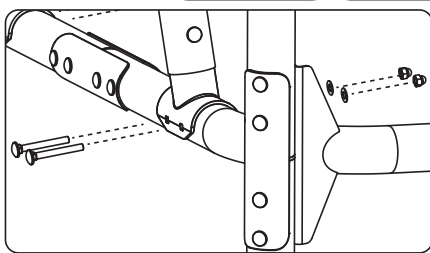
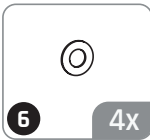
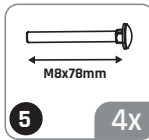
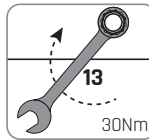
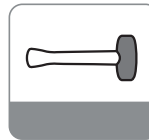




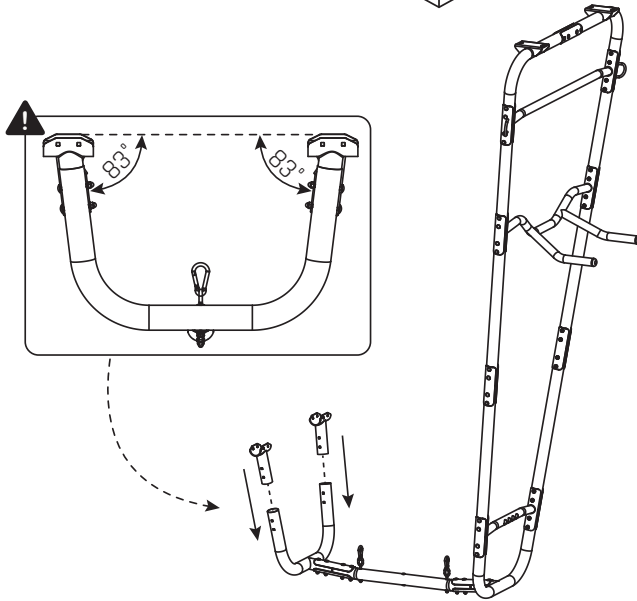
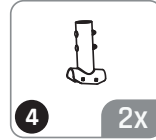
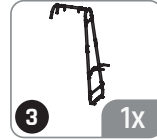
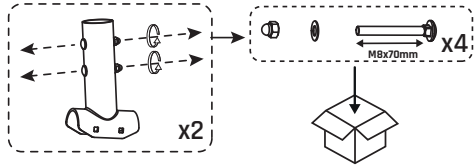
3



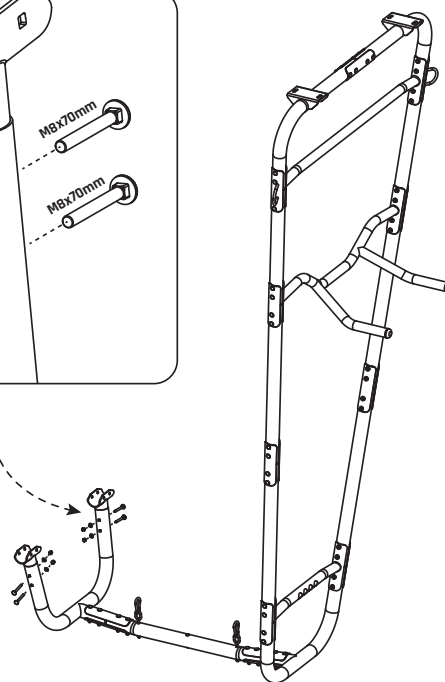
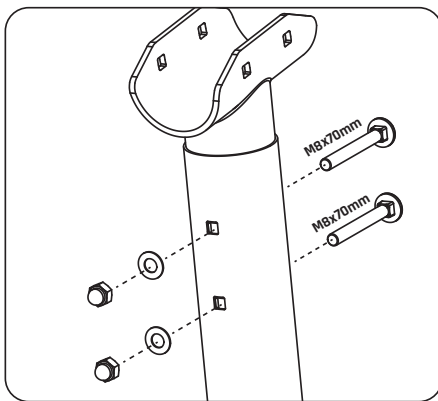
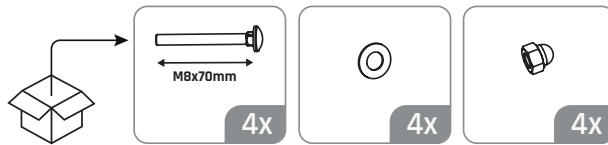
4



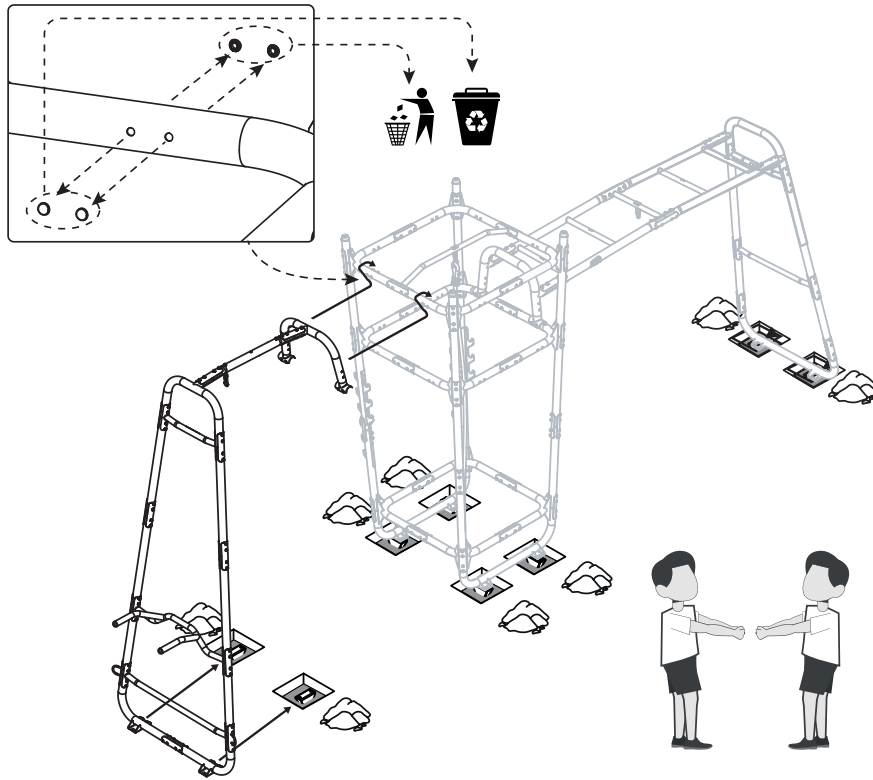
**5**



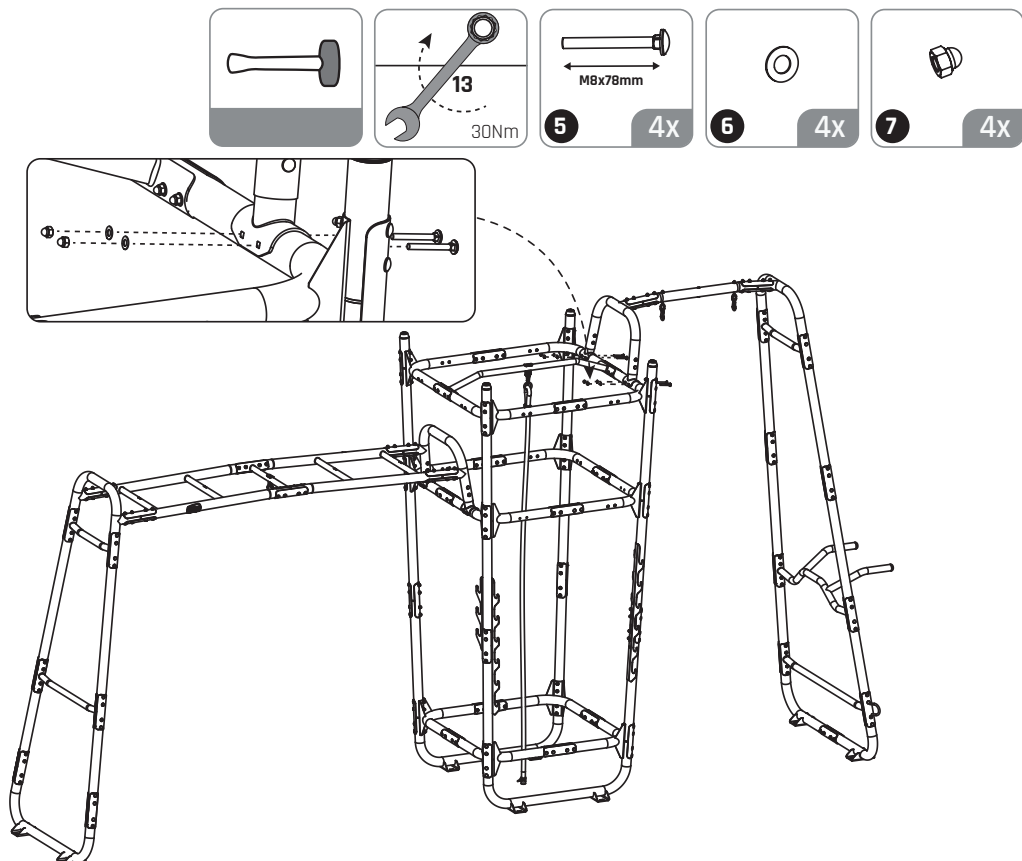
**6**



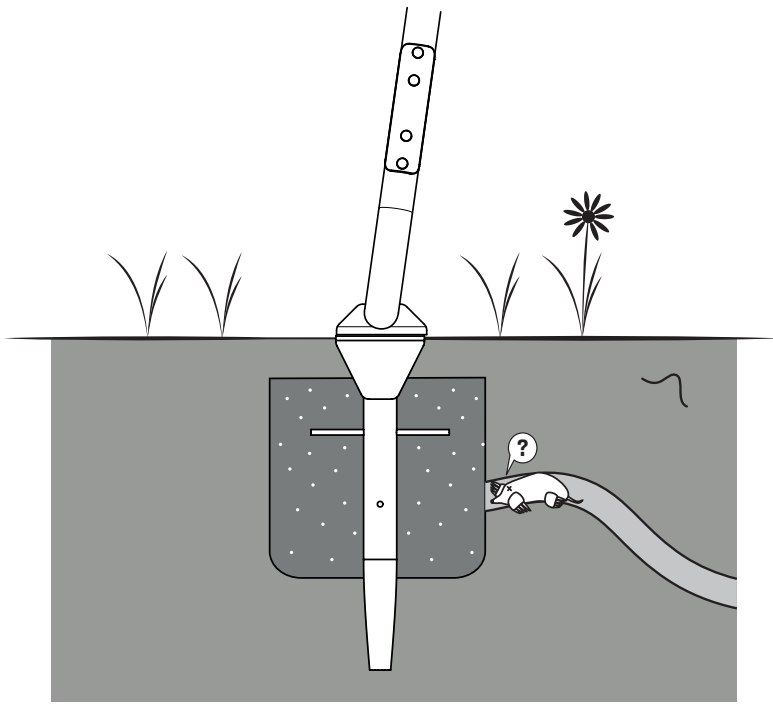
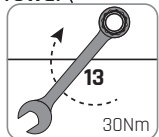
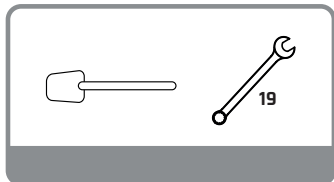
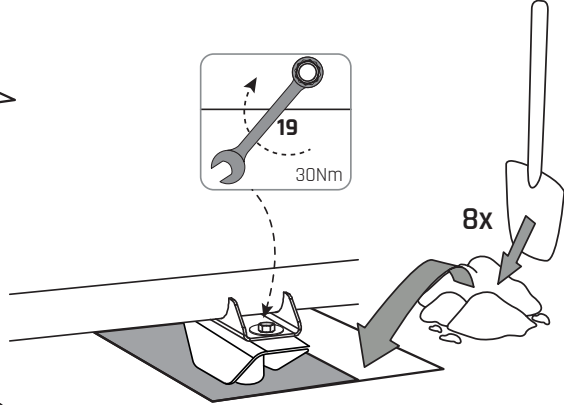
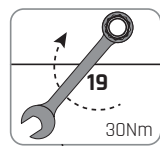
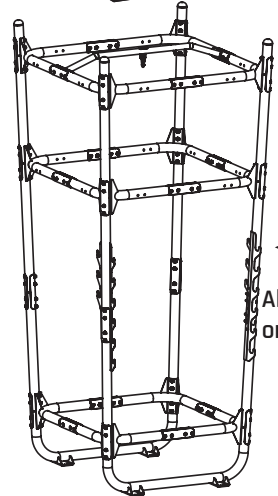
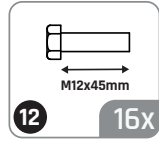
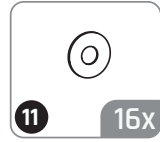
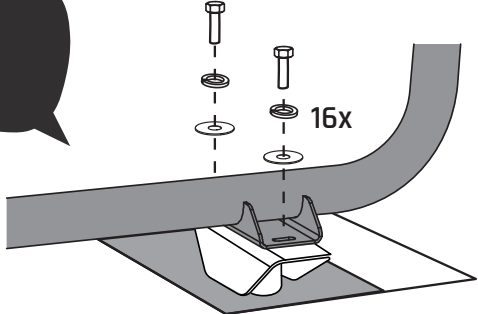
7

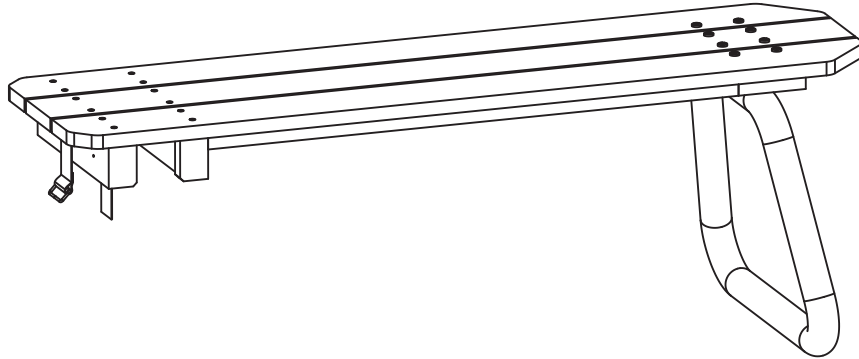


8

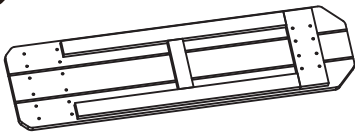


**9**





1



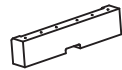
61.90.22.00	1X
-------------	----

2



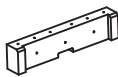
54.90.22.10	1X
-------------	----

3



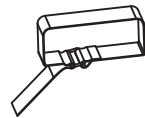
61.90.22.20	1X
-------------	----

4



61.90.22.10	1X
-------------	----

5



1X	
----	--

6



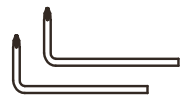
ST4x45mm	12X
----------	-----

7



M6x15mm	8X
M6x35mm	8X

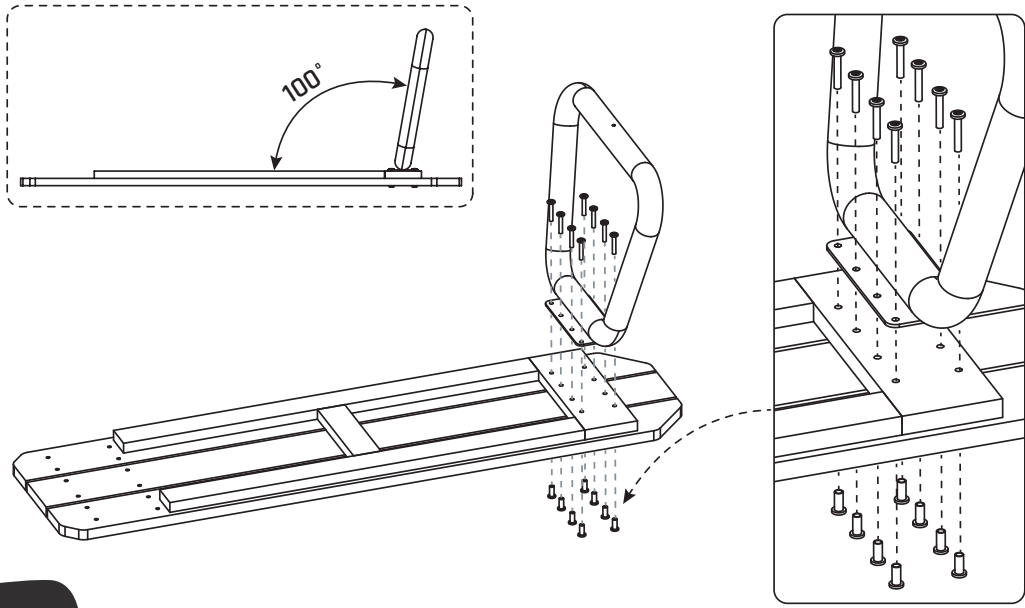
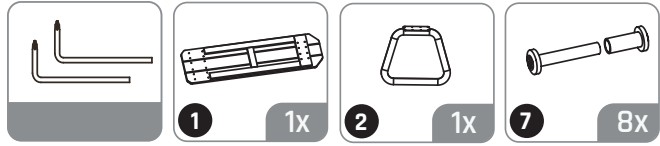
8



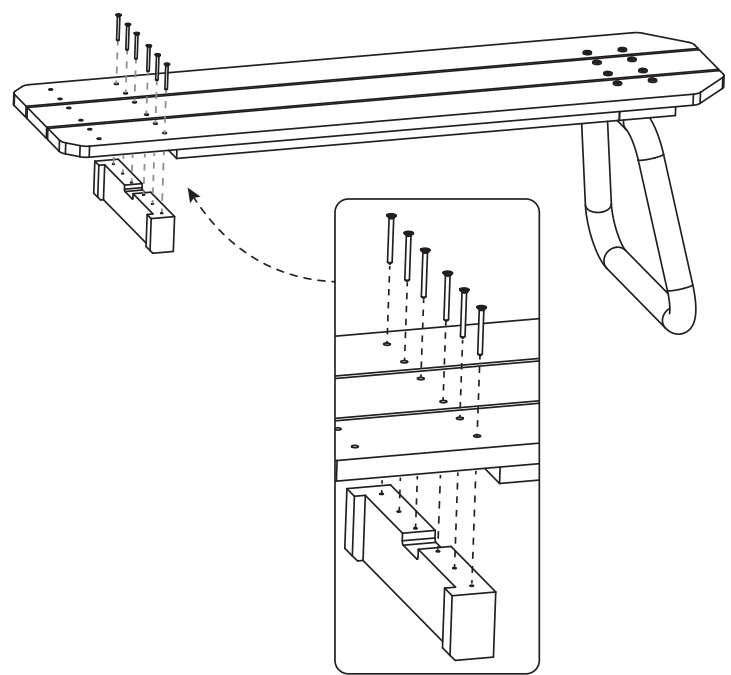
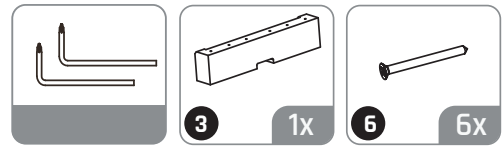
M6	2X
----	----

61.90.22.40	1X
-------------	----

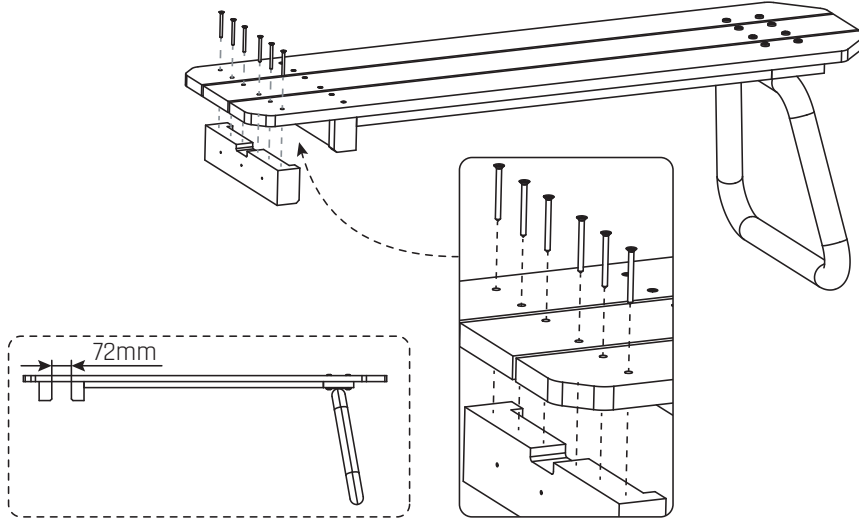
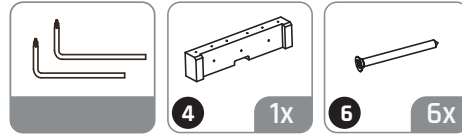
**1**



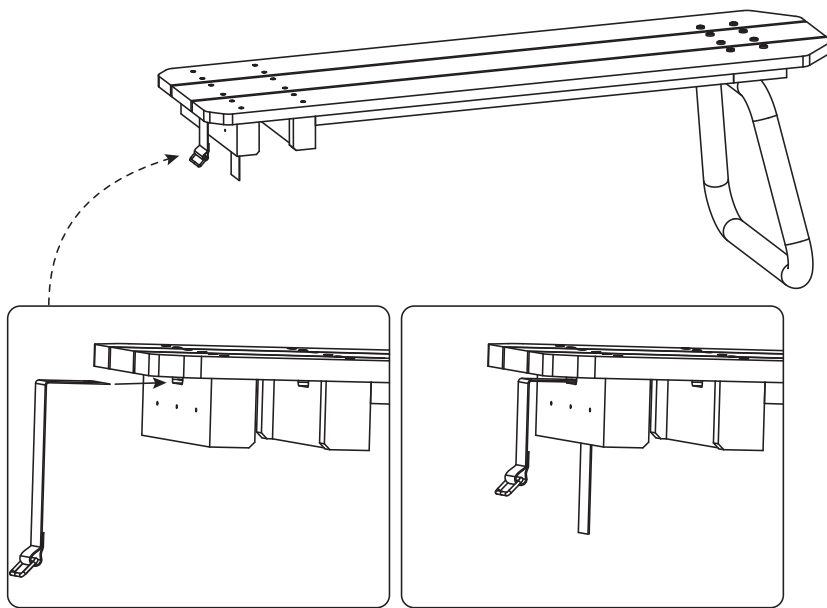
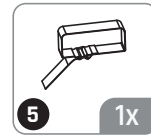
**2**



3

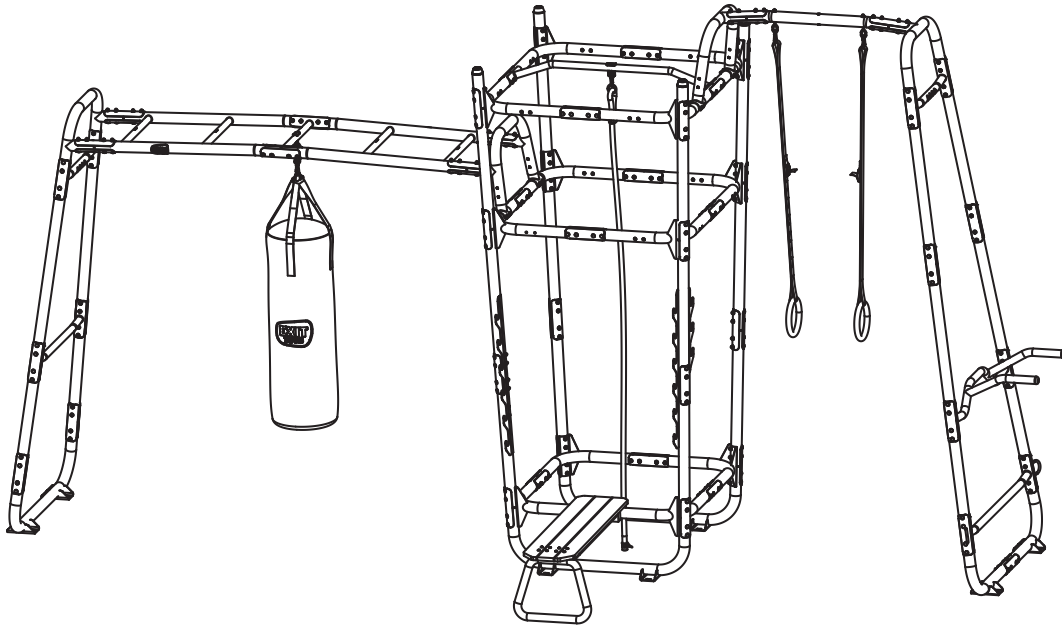


4

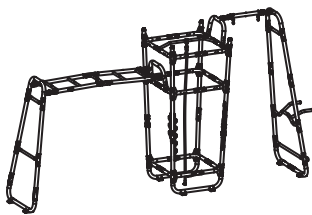








1



1X

2



1X

3



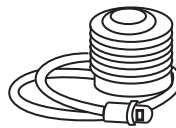
54.90.43.00 1X

4



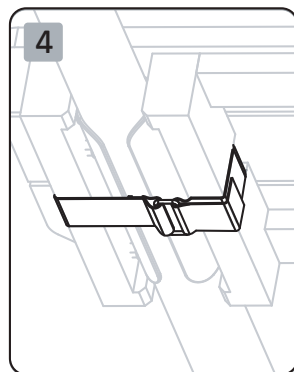
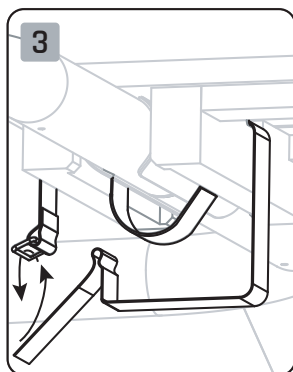
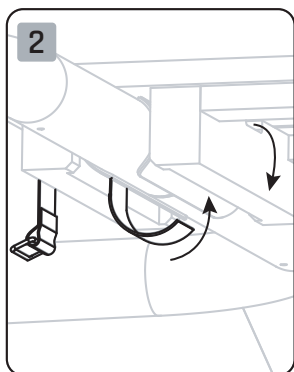
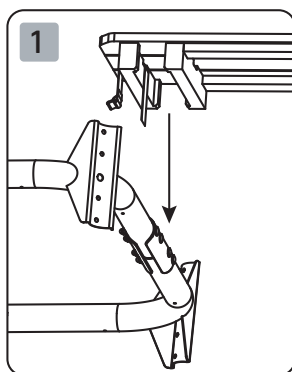
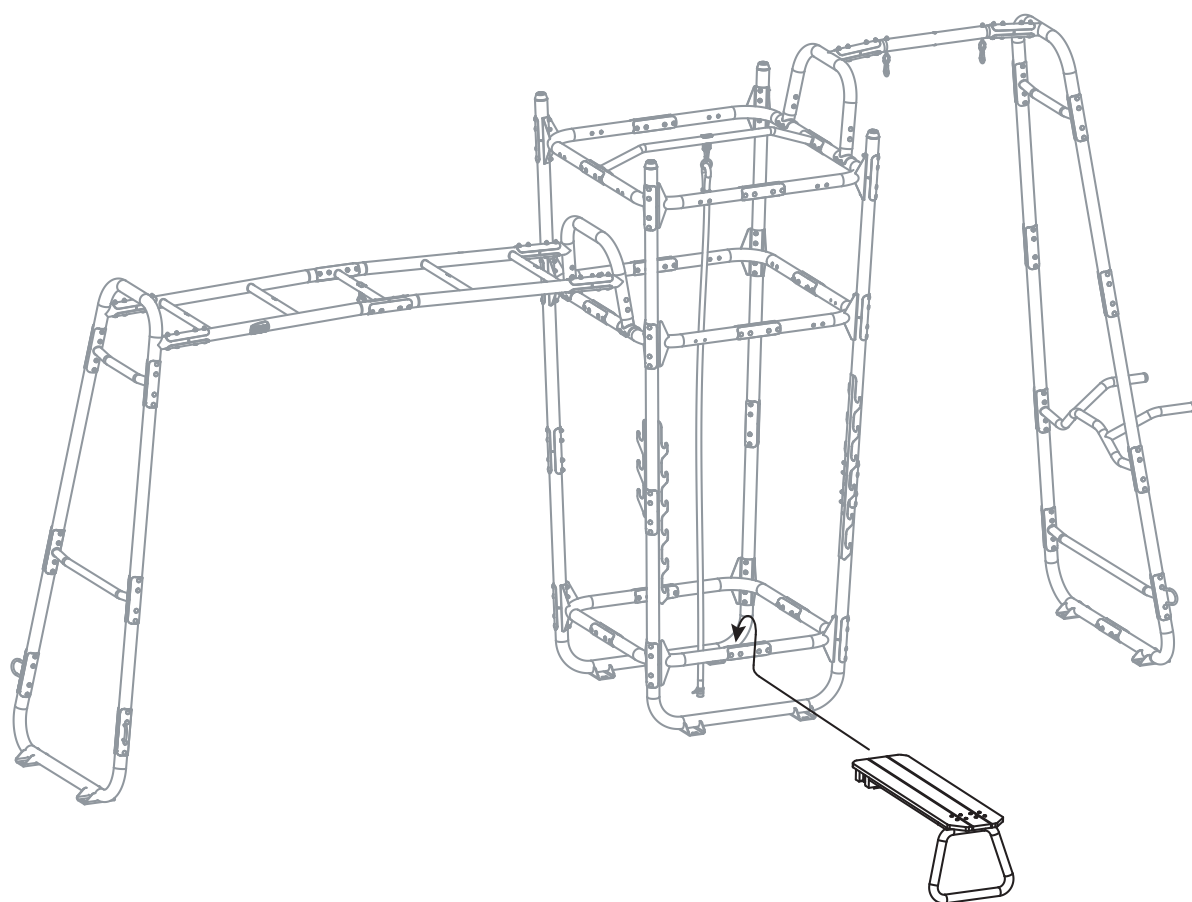
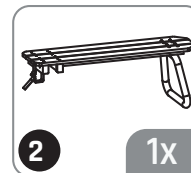
54.90.30.00 1X

5

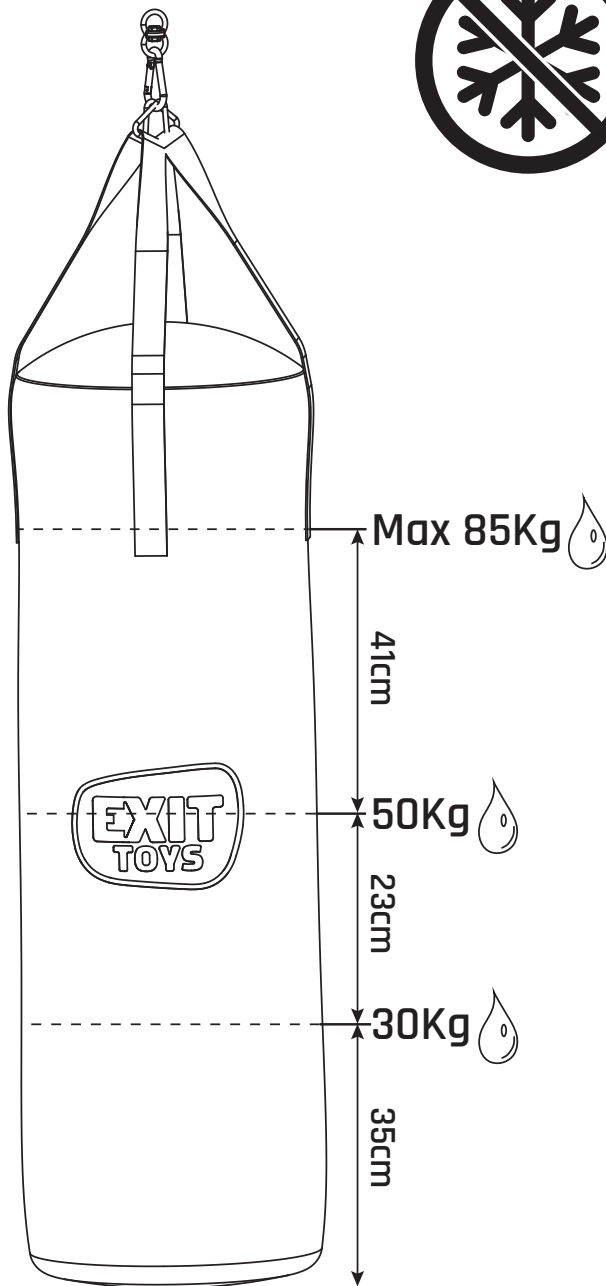
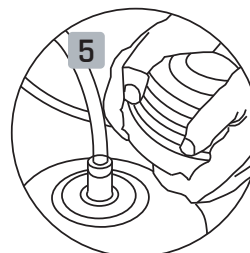
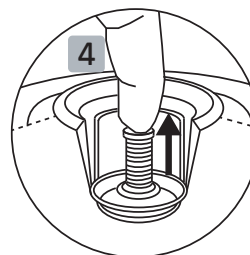
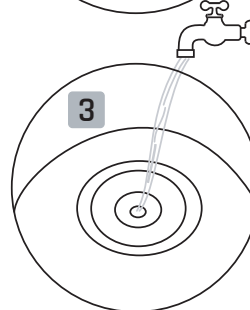
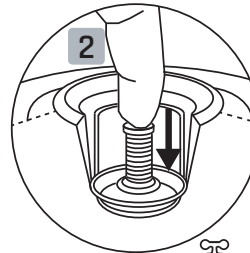
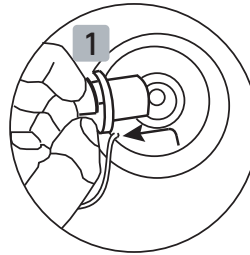
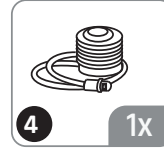
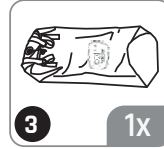


1X

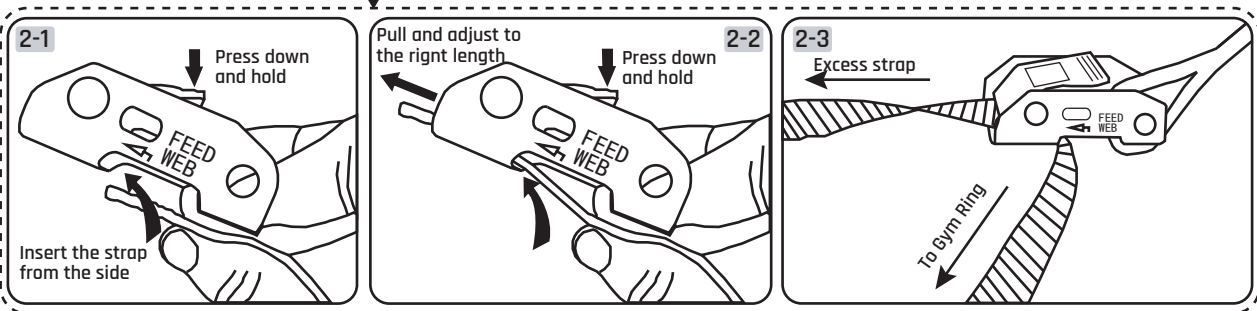
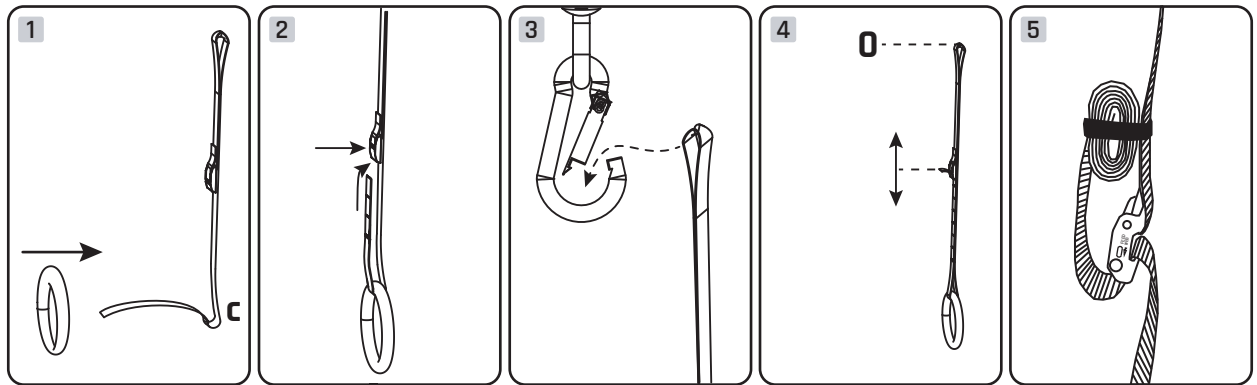
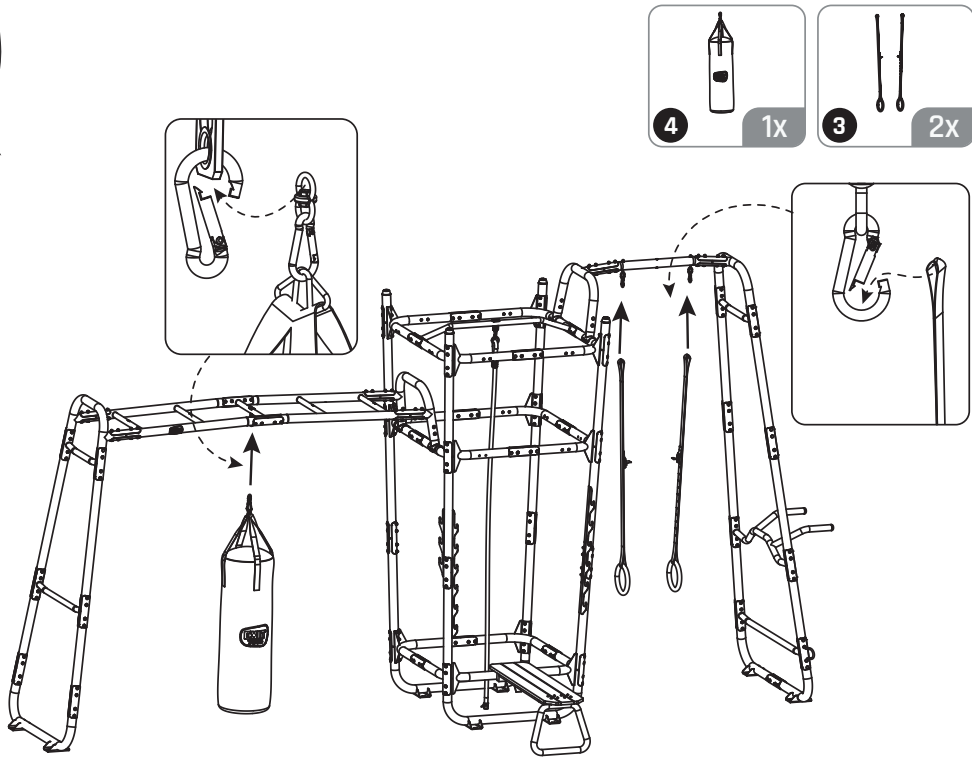
**1**

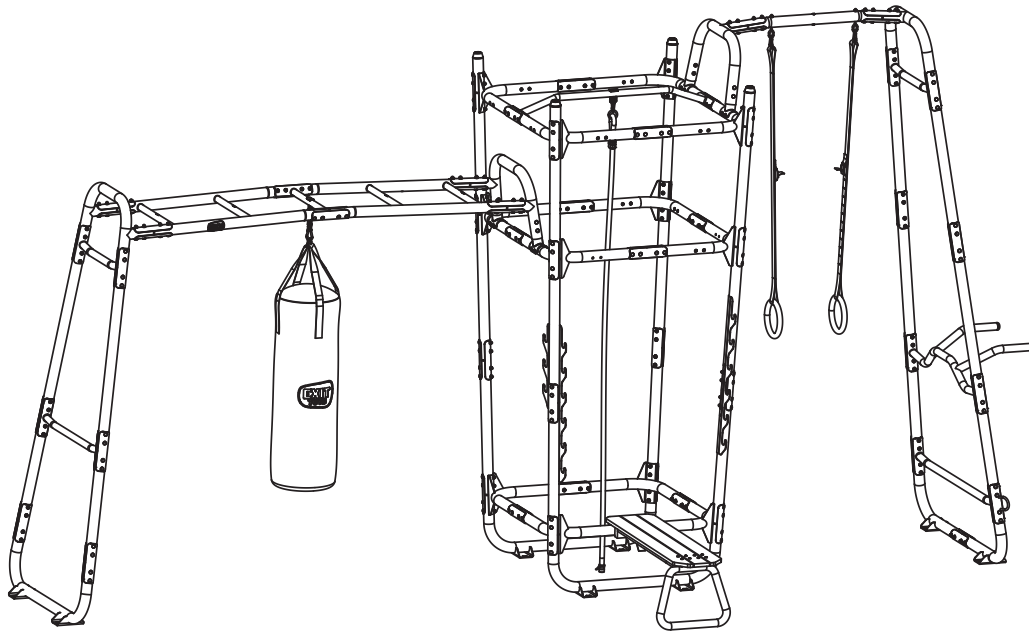


2



**3**











[www.exittoys.com](http://www.exittoys.com)

61.81.60.10



**Contact Information:**

Dutch Toys Group B.V.  
Edisonstraat 83  
7006 RB Doetinchem, The Netherlands

[info@exittoys.com](mailto:info@exittoys.com)  
[www.exittoys.com](http://www.exittoys.com)

EXIT Toys is part of:

**SIMBA · DICKIE · GROUP**

EXIT Toys is a registered trade mark of Dutch Toys Group