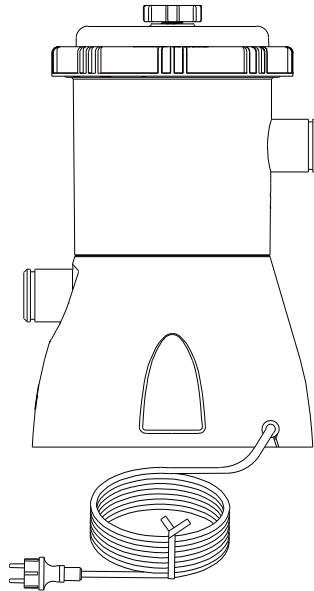




SUPER CLEAN FILTER PUMP USER'S MANUAL

29P414XX/29P415XX/29P416XX/29P417XX



**Attention: Read all instructions carefully before
installing filter pump.**

TABLE OF CONTENTS

Instruction	2-3
Safety Instructions	3-4
Parts Listing & Illustration	5
Installation Instructions	6
Installation Illustration	7
Operating instructions	8
General Maintenance	8
Cleaning and Replacement	8-9
Trouble Shooting Guide	9
Limited Warranty	10

Instruction

We thank you for your purchase of our filter pump. We think you will find it quite simple to install and performance efficiently.

This filter pump system has been manufactured to the highest quality standards, and will provide seasons of clean, sparkling-clean water activity in your new Prompt Set Pool, Round Steel Frame Pool, Oval Steel Frame Pool and Rectangular Steel Frame Pool. Here is Jilong filter pump manufactured as high quality performance that combines superior filtration and following features:

- Designed for above ground swimming pool
- High volume flow through filter
- Easy installation and maintenance
- Low cost on maintenance and operation

Offer quiet and high quality performance
Quality certified construction
Reliable, corrosion-proof and reinforced material
Elegant and delightful design
Smaller dimension easy to store and compact for winter
UL & GS certificated filter pump
Safer for swimming and for the environment

This filter pump system manual will provide you with all of the easy instructions you need to follow in order to set up and operate this state-of-the-art filter pump system efficiently.

In addition to set-up instructions and operational guidelines, we have also included several very important Warning and Caution statements that pertain to the safe use and enjoyment of this new filter pump system. It is very important that you take the time to read them all and share them with any individuals that will ultimately be enjoying the use of your pool.

Please make certain that you read and understand the information contained in this Manual prior to initial use.

Safety instructions

The following important points should be read and understood prior to use:

WARNING: To prevent possible electric shock, do not attempt to plug in power cord with wet hands or while standing in water.

WARNING: To prevent possible electric shock, connect power cord into a grounded receptacle protected by a ground-fault circuit interrupter (RCD).

WARNING: To prevent possible electric shock, never use a damaged or frayed power cord.

WARNING: This filter pump is not intended for use by children. Adult assembly and operation required.

WARNING: Do not bury the power cord. Locate cord where it will not be damaged by lawn mowers, hedge trimmers or other equipment.

WARNING: Do not extension power cords with this product.

WARNING: Make certain before each use of pump that all clamps are tightened and that all hoses are connected properly.

WARNING: Do not use this filter pump to vacuum pool.

WARNING: This filter pump is designed for use only with storable pools. It must not be used with permanently installed pools. Improper use to cause overheating will make the motor burnout and damage.

WARNING: To avoid overheating on the filter pump motor, make sure the pump is running with water and never left off the water when using this appliance.

WARNING: Remnant air will make the filter pump to race and damage. Gently turn the Air Release Valve 1-2 turns to drive out all of the remnant air in the filter pump and filter housing.

WARNING: This appliance can be used by children aged from 8 years and above and persons with reduced physical, sensory or mental capabilities or lack of experience and knowledge if they have been given supervision or instruction concerning use of the appliance in a safe way and understand the hazards involved. Children shall not play with the appliance. Cleaning and user maintenance shall not be made by children without supervision.

WARNING: The supply cord cannot be replaced if the cord is damaged the appliance should be scrapped.

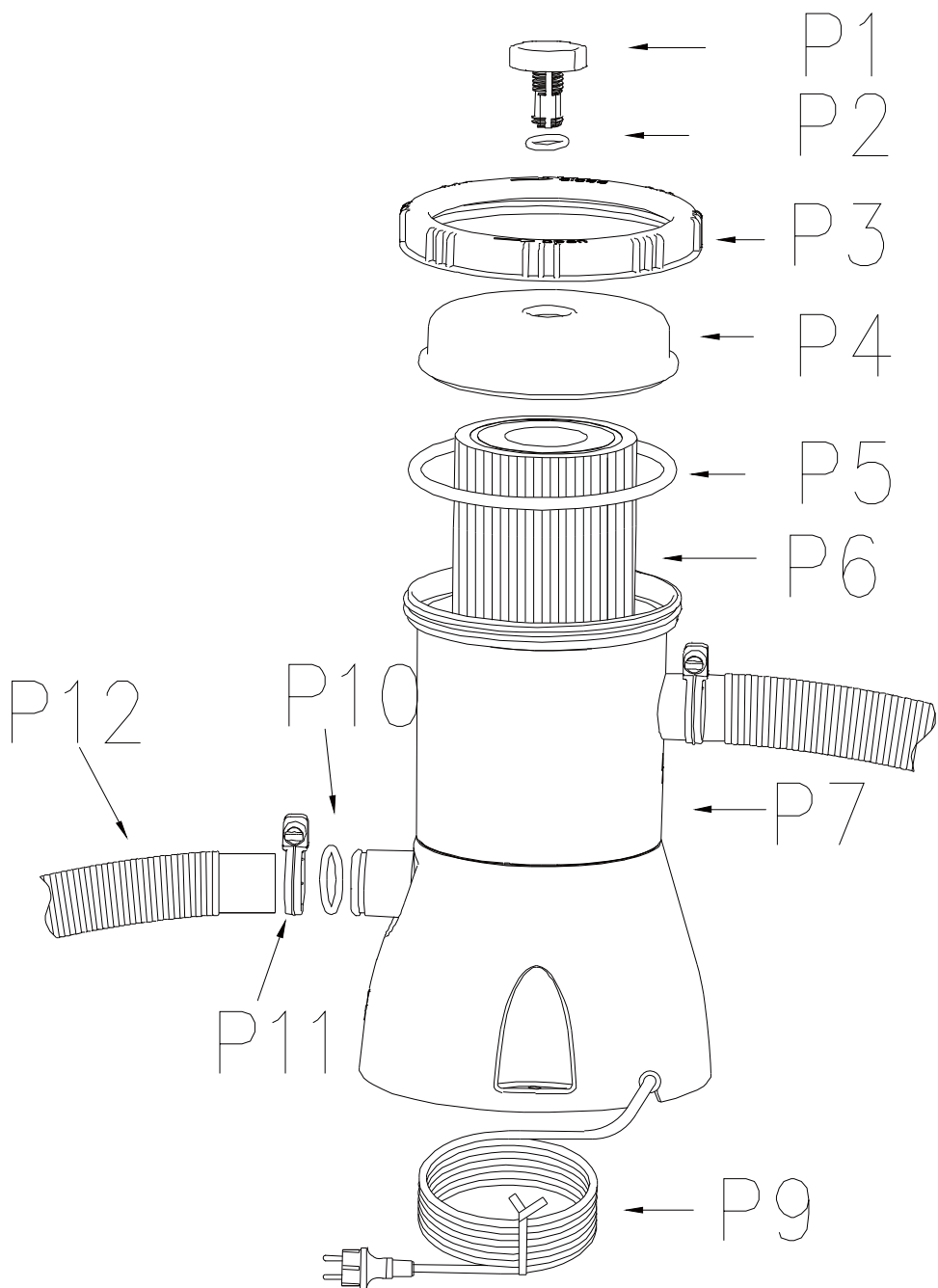
WARNING: The pump must not be used when people are in the water.

WARNING: The pump must be supplied through a residual current device (RCD) having a rated residual operating current not exceeding 30mA.

WARNING: The maximum total head 0.9 in meters(for pumps having a rated power input exceeding 50W)

WARNING: It shall be installed at least at 2m from the pool and the plug shall be located at 3.5m from the pool. (Only for France market)

WARNING: The pump must be fixed on the ground or a certain pedestal with two $\Phi 5$ bolts or screws to prevent accidental falling(see next picture).



Item No.	Description	QTY
P1	Air purge cover	1
P2	Air purge cover seal	1
P3	Filter chamber cover retainer	1
P4	Filter chamber cover	1
P5	Filter chamber rubber gasket	1
P6	Filter cartridge	1
P7	Filter chamber	1
P9	Power cable	1
P10	O ring	2
P11	Hose Clamp	4
P12	Connector Hose	2
P13	Filter Net Only for 300&530gal	2
P14	Connector Only for 300&530gal	2

Installation Instructions

Please see the diagram of Page 6 & Page 7 for reference.

1. Before start to install filter pump, make sure to set up the pool and fill the water firstly, following the pool's installation instructions step by step. Operate the filter pump only when the water has reached the maximum level in the pool. Low water pressure in the pump may result in noisy motor sound.

2. Remove the filter pump and hoses from the packaging.

3. Place the Filter Pump below pool water at least 0,2 m and shall not over 1,0 m.

4. Please Note: The filter pump needs to be mounted on a solid and even ground. There are mounting holes located in the pump base and you can mount the pump with screws.

5. Put the Filter Cartridge (P6) into the Filter chamber (P7) and make sure the Filter Cartridge (P6) is inside of the Filter chamber (P7).

6. Put Filter Housing O-Ring (P5) on Filter chamber (P7).

7. Put Filter Housing Cover (P3) on Filter chamber (P7).

8. Then finger tighten the Filter chamber cover retainer (P3) in a clockwise motion.

9. Connect one Filter Hose (P12) to the inlet port of the Filter Pump (top) and the lower hose connection of the pool. Fix the hose with the hose clamps (P11).

10. Gently turn the air release valve (P1) in a counter-clockwise direction 1-2 turns.

11. Connect the 2nd Filter Hose (P12) to the upper hose connection of the pool and the outlet port (bottom) of the Filter Pump (see page 7). Fix the hose with the hose clamps.

12. The sound pressure level is less than 82 dB (A).

INSTALLATION ILLUSTRATION

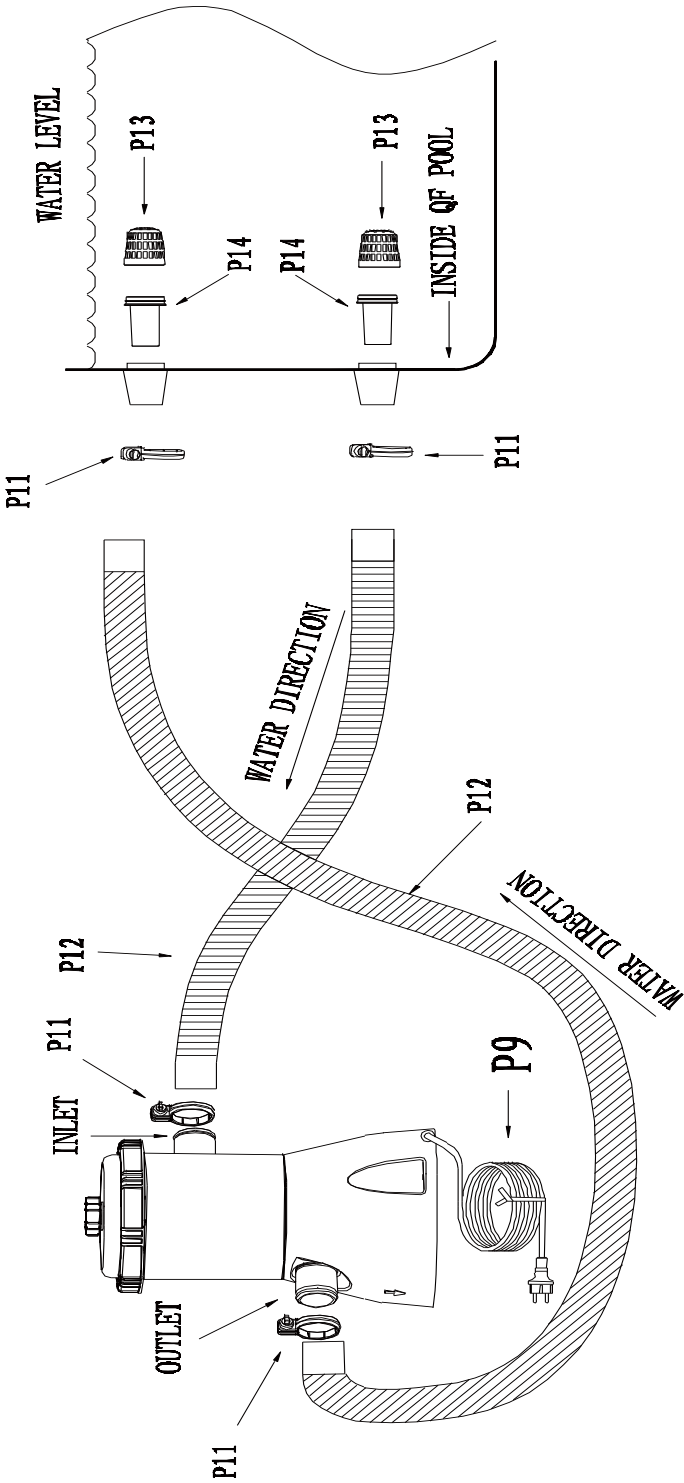


ILLUSTRATION NOT TO SCALE

Operating Instructions

1. Make sure the pool is already filled with water and place the Filter Pump at suitable position.
2. With water flowing into the filter pump, the water pressure will allow the air entered inside to escape from the air release valve (P1).
3. Then gently finger tighten the air release valve (P1) in a clockwise direction.
4. Connect the power supply cord of adapter to AC 230V to operate the Filter Pump until the clarity of the water in pool is obtained.

General Maintenance

1. Disconnect power to motor before working on pump or motor.
2. Depending on the parts usage, keep some spare available, strongly command to have two Filter Cartridges for spare use.
3. No lubrication or regular mechanical maintenance are needed.
4. Wash outside of filter with a mild detergent and water, rinsing off with hose.
5. Do not use solvents to clean filter; solvents may damage plastic components in system.
6. Maintain pH level at 7.0 to 7.4 in pool.
7. The voltage of adapter is AC 230V.
8. Do not place the Filter Pump in tall grass it might cause the motor's overheating.
9. After pool water is completely emptied out, remove all pool hoses from pool and Filter-Pump.
10. Exhaust water from all housings of the Filter Pump.
11. Store all filter pieces in a dry storage location and with ventilation. Before storage, make sure all parts are dry.
12. You can store the Filter Pump in a dry location and take advantage of the original packing carton for storage for next season usage.

Cleaning and Replacement

1. Make sure the 230 V adapter disconnect the power supply cord from the electric outlet.
2. In a counter-clockwise direction to remove the Filter chamber cover retainer (P3). Place it in a safe location.
3. Clean the used Filter Cartridge (P6) or replace it if necessary.

4. Check the inside of the Filter chamber (P7).
5. If dirt or sediment is found on the bottom of the housing then e.g. with a bucket of water or a garden hose to flush the housing out of sediment or dirt.
6. Return the Filter chamber cover retainer (P3) to its position and in a clockwise direction to fasten onto the Filter Housing.
7. Reconnect the power supply cord of adapter.

Trouble Shooting Guide

PUMP DOES NOT OPERATE:

- A. Check for blown fuses, circuit breakers, or disconnected electrical wiring.
- B. Check motor. If motor is too hot or overload shut it off. Let motor cool down.
- C. Consult expert.

MOTOR RUNS, BUT DOES NOT PUMP WATER OR WATERFLOW IS TOO SLOW:

- A. Check for obstructions in intake hose or discharge hose inside pool wall.
- B. Tighten hose clamps, check hoses for damage, check pool water level.
- C. Clean filter cartridge more often. Reusable and easy to clean e.g. with garden hose.
- D. Replace filter cartridge.
- E. Consult expert.

PUMP LOSES PRIME

- A. Make sure water level in pool is at least 5 cm above bottom of skimmer throat with system not operating.
- B. Make sure there are no leaks in suction piping.
- C. Check if the filter cartridge is dirty and needs cleaning. Reusable and easy to clean e.g. with garden hose.
- D. Consult expert.

FILTER DOES NOT CLEAN POOL

- A. Adjust chlorine and pH level.
- B. Clean or replace filter cartridge. Reusable and easy to clean e. g. with garden hose.
- C. Check for holes in cartridge. Replace if damaged.
- D. Let pump operate more longer.
- E. Clean away debris from strainer screen at pool wall.
- F. Consult expert.

LIMITED WARRANTY

ATTENTION CUSTOMER - Please read this statement carefully and keeps your original store receipt along with this warranty certificate at all times. Your receipt is required as proof of purchase and to verify the length of your pool ownership.

We warrant all components contained in this filter pump against defects in materials and workmanship under normal use and service, for a period of 365 days from the date of purchase for the original owner only. If any of the components have been consumer-replaced, damaged, or misused, the corresponding warranty on those components is invalidated. In this situation, you will be advised of the cost of replacement parts and processing instructions. Please register warranty within 30 days of purchase on www.jilong.com in order to validate your warranty.

If a verifiable manufacturing defect is found during the relevant time period, we agree to repair or replace at its option any Pumps under warranty provided proper proof of purchase is presented.

This limited warranty is not valid if the pool is used for commercial purposes, or if the damage is caused by an accident, an act of God, consumer misuse, neglect or abuse, vandalism, improper use of chemicals, exposure to extreme weather conditions or negligence during pool set up or disassembly.

We cannot be held responsible for the cost of installation (including water), labor, or transportation expenses incurred due to the replacement of defective parts. This limited warranty, furthermore, does not cover any unauthorized alterations to the pool system.

Shanghai Jilong Plastic Products Co. Ltd.

2555 XiuPu Road, Pudong Area, Shanghai, China.

Tel: +86-21-58942200 E-mail: info@jilong.com Web: www.jilong.com

JILONG PLASTIC PRODUCTS(JIANGSU)CO.,LTD

NO.1 Industrial Area South Zhongchen Road Zhongyang Town, Suqian, Jiangsu, China

Correct Disposal of this product



This marking indicates that this product should not be disposed with other household wastes throughout the EU. To prevent possible harm to the environment or human health from uncontrolled waste disposal, recycle it responsibly to promote the sustainable reuse of material resources. To return your used device, please use the return and collection systems or contact the retailer where the product was purchased. They can take this product for environmental safe recycling.